



USER MANUAL

NECTAR NXT Storage Water Purifier

With Auto Shut-Off

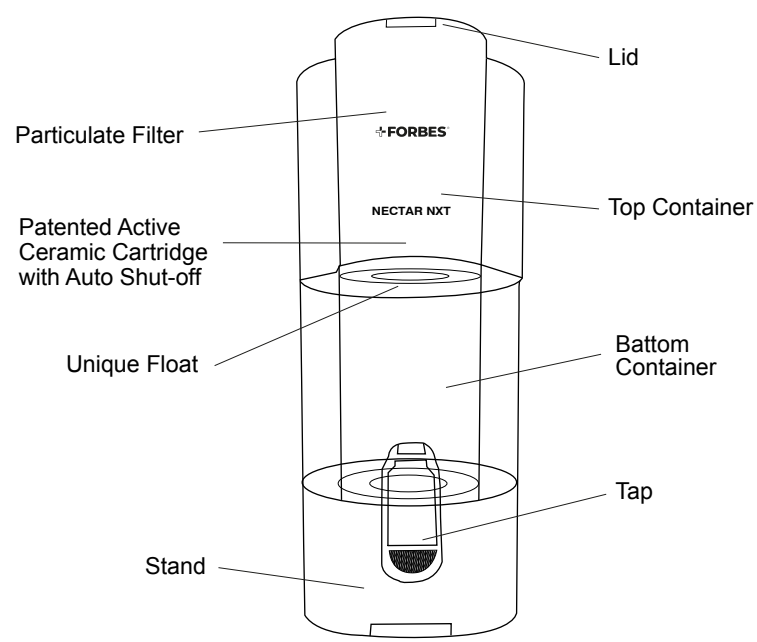


For more information, visit us at www.forbesinternational4u.com
 Lower Parel, Mumbai, Maharashtra - 400 013, India.
 B1/B2, 701, 7th Floor, Marathon NextGen, Marathon Innova, Off Ganpatrao Kadam Marg.

Eureka Forbes Limited, (Formerly Forbes Enviro Solutions Ltd.)



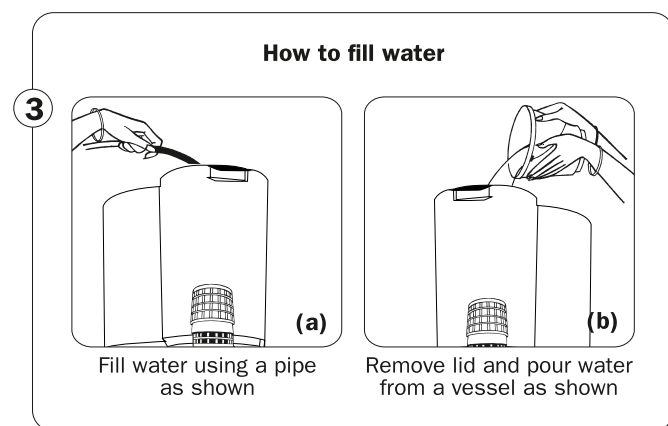
NECTAR NXT STORAGE WATER PURIFIER



Note: This is a schematic representation/diagram of the actual product to give visual indication of working. This is not an actual engineering drawing of the product.

MAINTAINING THE SEDIMENT FILTER & THE CARBON FILTER

- Clean Sediment Filter and Particulate Filter once in 15 days with tap water
- Clean Top and Bottom Container once in 15 days with tap water
- Remove the cartridge to clean it (To remove cartridge put your finger at the bottom of the cartridge and lift it).
- Remove plastic cage by rotating and pulling up. Fig. 4(a)
- Pull the Sediment Filter in an upward direction. Fig. 4(b)
- Wash the Sediment Filter (For better results you can beat this filter by holding it on one edge and slapping it against a hard surface). Fig. 4(c)
- Clean the Carbon Block once in 15 days as follows. Fig. 4(d)
- Fill the "Bellow Pump", provided with the unit, with water. Immerse the Carbon Block in water and close the opening at the bottom with the thumb. Insert the "Bellow Pump" from the other end and press it like an injection. Do this activity 3 or 4 times to backflush the Carbon Block. Fig. 4(e)
- Wash Particulate Filter under running water. Fig. 4(f)



HERITAGE

Dear Customer,

Congratulations on your purchase of the Nectar NXT Storage Water Purifier. With this purchase you have wisely invested in your family's health by providing them protection against waterborne diseases caused by bacteria and viruses. The Nectar NXT Storage Water Purifier has been designed to provide you with safe drinking water. We recommend you to read the User Manual carefully before commencing use of the product.

Should you require any assistance just call us on 1860-266-1177.

THE NECTAR NXT STORAGE WATER PURIFIER IS FROM THE MARKETERS OF FORBES

Your Nectar NXT Water Purifier is made of food grade material and provides you with pure and safe drinking water

MULTI-STAGE PURIFICATION PROCESS

Stages 1 & 2

2 Tier - PHYSICAL FILTRATION: Comprises Particulate and Sediment Filters, removes suspended impurities from water and provides clear water.

Stage 3

CARBON BLOCK: It removes organic, chemical impurities and chlorine. It also removes bad taste and odour from water.

DOS

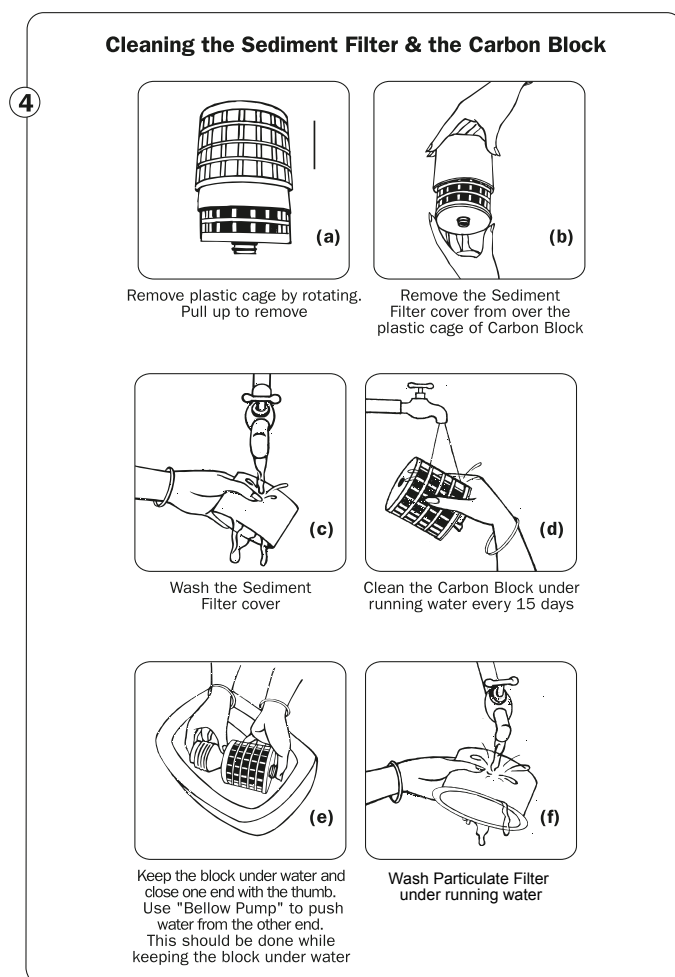
- ✓ Replace the cartridge after every 4000 litres
- ✓ For best results use input water between 10° - 40° Celsius
- ✓ Ensure that the stored purified water is consumed within 48 hours
- ✓ Clean the Sediment Filter at regular intervals to improve water flow

Important Note:

- 1) Discard first filling of purified water on following occasions:
 - At the time of first use
 - At the time of replacement of cartridge
 - If not in use for 10 days after vacation
- 2) Always keep the cartridge in wet condition once the seal is open

DONT'S

- ✗ Do not expose the unit to sunlight
- ✗ Do not use boiled/warm water while filling the top container
- ✗ Do not keep the product near a gas stove, cooking range or any hot surface
- ✗ Do not open or tamper with the cartridge
- ✗ Do not use strong detergent to clean the containers



Stage 4

ACTIVE DISINFECTANT: It destroys virus and bacteria that cause waterborne diseases like diarrhoea, dysentery, gastro-enteritis, cholera, typhoid, etc.

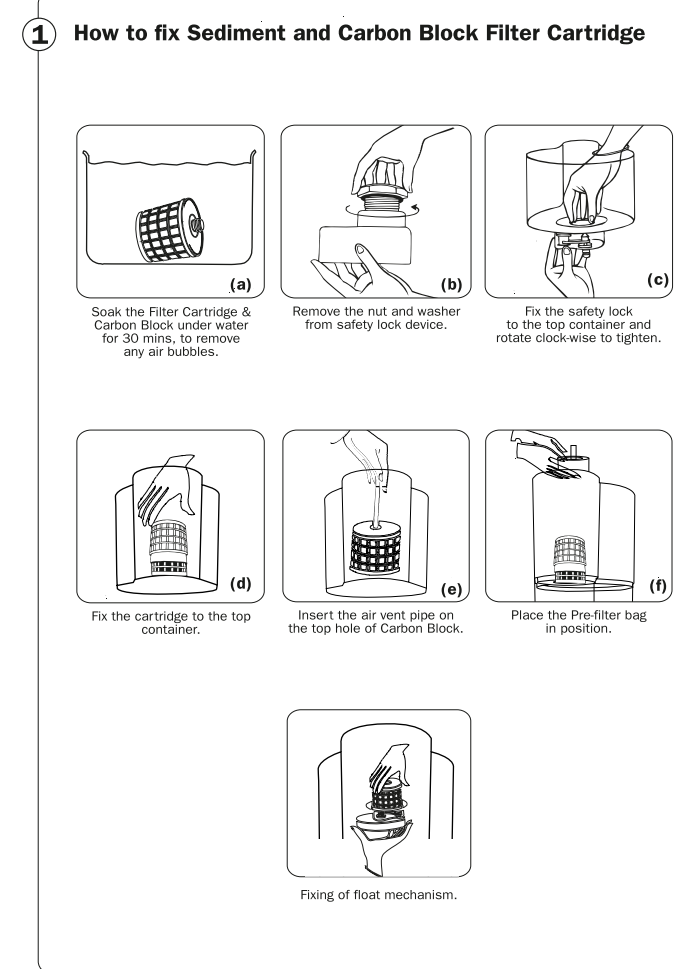
SIMPLE STEPS TO ASSEMBLE THE UNIT:

How to fix the Sediment cum Carbon Block Filter Cartridge and Auto Shut-off: Fig. 1 (I)

- Take out cartridge assembly kit from the carton.
- Remove the sticker from the top and bottom of the Cartridge.
- Soak the filter cartridge in water for 30 mins, to remove any air bubbles. Fig. 1 (a)
- Remove the nut and washer from auto shut-off device. Fig. 1 (b)
- Put rubber washer and nut inside the container and auto shut-off device below top container. Fix the auto shut-off to the top container and rotate clockwise to tighten. Fig. 1 (c)
- Now press fit the Filter Cartridge (which has several vertical slits on its outer cover) into the top container. Fig. 1 (d)
- Insert the air vent pipe on the top hole of the Carbon Block. Fig. 1 (e)
- Place the Particulate-filter bag in position on the top lid. Fig. 1 (f)

Fixing up float mechanism:

- Screw the internal thread of the float in a clockwise direction to the external thread of the auto shut-off Fig. 1 (g)



Placing and assembling the body and Sediment Filter & tap: Fig. (2)

- Place the bottom container on stand. Fig. 2(a)
- Fix the tap. Fig. 2(b)
- Place the top container with fitted filter cartridge on bottom container as shown in fig. 2(c)
- Rinse the Particulate filter thoroughly in water. Then place the Particulate Filter at the mouth of the lid. Fig. 2(d)

Flushing of Filter Cartridge & Carbon:

- Fill the top container with water and allow it to filter through the cartridge into the bottom container
- Drain off the water from the bottom container through the tap

How to get purified water:

- Again fill water in top container through particulate filter placed on lid of top container.
- Place the top lid cover

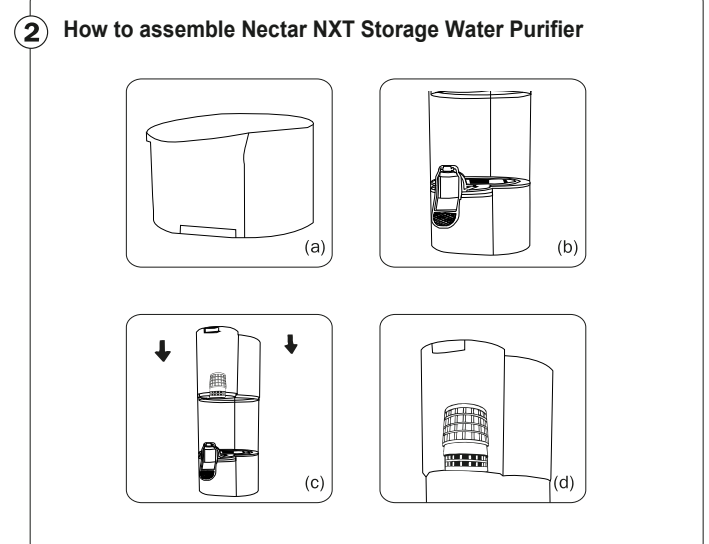
YOUR NECTAR NXT STORAGE WATER PURIFIER IS NOW READY FOR USE:

Follow the above procedure every time a new cartridge is replaced.

How to purify water: Fig. 3 (a) & (b)

- Fill the top container with water through the Particulate Filter
- Close the lid
- Wait for completion of filtration
- Discard this water completely from the bottom container when the product is used for the first time
- Ensure cleaning the inner bottom surface of the bottom container
- Follow the above procedure every time a new cartridge is replaced

Disclaimer: Always maintain top container in full condition to have better flow rate. The filtration rate will decrease with the water level in top tank.



TIPS TO ENSURE SMOOTH FLOW OF WATER

- To maintain flow rate by removing choked impurities or air bubbles
- Wash Sediment Filter in running water
 - Clean the Carbon Block in the cartridge by soaking completely under water and backflushing with the provided Bellow Pump
 - Regular cleaning of all filters and cartridges will ensure smooth flow of safe water.

CONTAINER CAPACITY:

Nectar NXT Storage Water Purifier with Single Cartridge
 Total Capacity: 16 litres

PRODUCT SPECIFICATIONS

Model	Nectar NXT
Dimensions (HxDxW) in cm	55 x 35 x 24
Net Weight (Kg)	2.38
Input Water Temperature	10° - 40°C
Input Water Turbidity (Max.)	5 NTU
Life of Purification Cartridge	4000 litres

Under Standard Test Conditions. Average Family Size - 4 Members. Average Consumption of water - 3 litres per person, 4,000L/(4x3) - 333 days
 **Actual performance may vary based on the input water conditions - TDS, Hardness, Temperature & pH