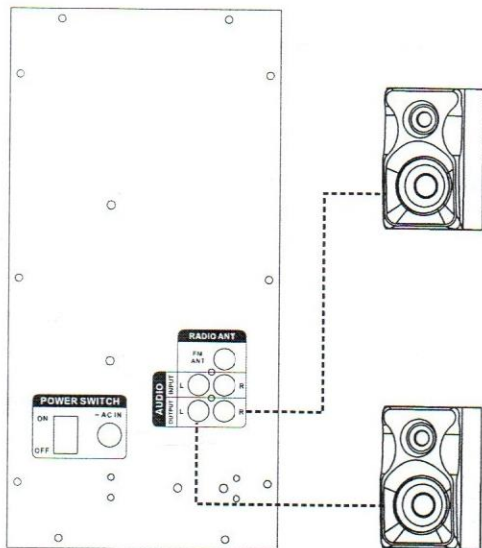


## System connection diagram



### SPEAKER TERMINALS

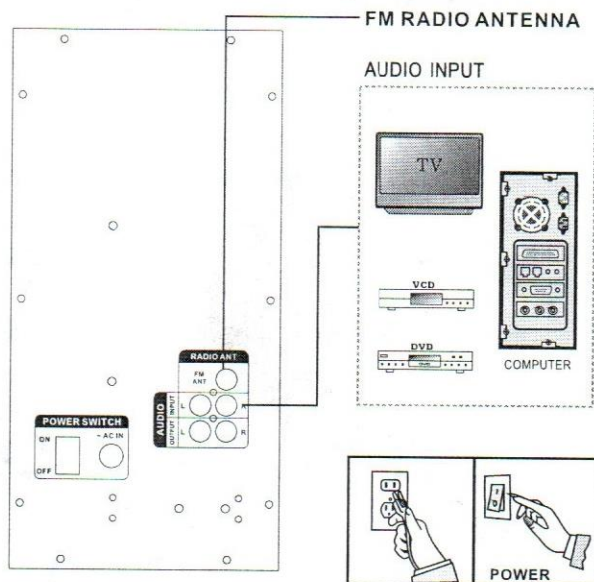
Connect left satellite speaker into L terminal of Audio Output.  
Connect right satellite speaker into R terminal of Audio Output.

#### NOTE:

\* Do not leave objects generating magnetism near the speakers.

NO.4

## System connection diagram



### Connecting equipment

Jacks and plugs of the connecting cord are color-coded as follows:  
Red jacks and plugs: For the left channel of audio signals

#### NOTE:

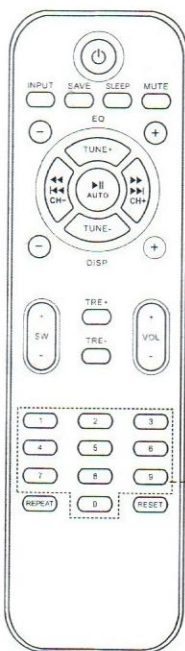
Insert the plugs fully into the jacks. Loose connections may produce a humming sound or other noise interference.

#### Important:

Connect the speakers and all other external equipment, and finally connect the AC power cord.

NO.5

## HOW TO USE THE REMOTE CONTROL

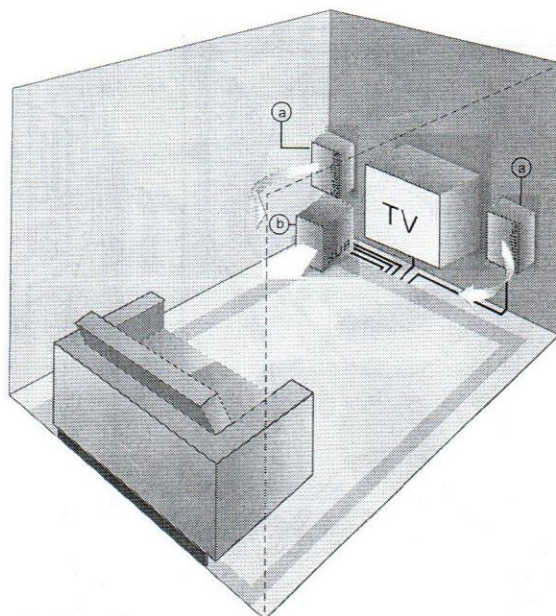


- Stand by
- INPUT-----When pressing the button, transfer to USB/SD/FM/BT function
- SAVE-----Save FM channel
- SLEEP-----Set up the sleep time
- MUTE-----MUTE
- EQ -/+-----EQ (When USB/SD input)
- TUNE -/+-----Decrease/Increase FM frequency in FM mode
- Play/Pause
- Previous song in USB/SD mode
- Next song in USB/SD mode
- Fast forward
- Rewind
- CH-----Previous saved channel in FM mode
- CH+-----Next saved channel in FM mode
- AUTO-----Automatic FM radio search by pressing 3 secs
- DISP -/+-----Lightness adjust
- SW -/+-----Turn up or turn down the bass volume
- TRE -/+-----Turn up or turn down the treble volume
- VOL -/+-----Turn up or turn down the master volume
- Track selection
- REPEAT-----It will repeat playing selected song if pressing once.  
It will repeat playing all the songs if pressing twice.
- RESET-----Reset to the default setting

\*If the Remote Control can not function, it is because the battery of remote control has been used up. Thank you.

NO.6

## Positioning the speakers



(a) Speakers

(b) Sub-woofer

Place the sub-woofer any place on the floor.  
(There is no directional requirement for the Bass effect.)

NO.7

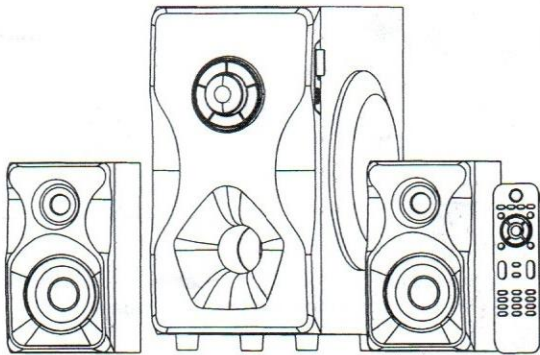
2.1CH Subwoofer  
MODEL:RA/103

**SD/MMC**  
CARD

**USB**  
DISK

**FM**  
TUNER

**BT**  
CONNECTION



**DEAR CUSTOMER**  
Congratulations on your purchase!  
Please read this manual careful and keep it for future reference

**Usage:**

**Specification:**

- \* Frequency Response: 40Hz-20kHz
- \* S/N Ratio:  $\geq 75$ dB
- \* Separation:  $\geq 50$ dB
- \* Speaker: 5.25" + 3" x2

**Caution:**

1. Do not expose to dripping or splashing.
2. Do not place any objects filled with water over the apparatus.
3. Do not block the ventilation holes.
4. For indoor use only.
5. When using high output signal don't turn the volume to maximum to avoid distortion.

**Inside Package:**

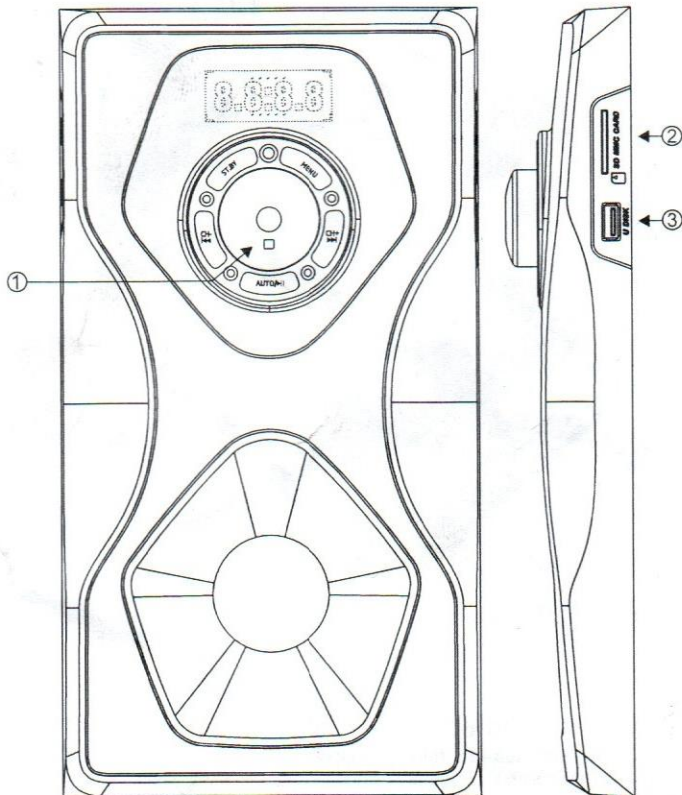
Subwoofer Speaker	1pc
Satellite Speaker	2pcs
Audio Cable	1pc
Remote Control	1pc
FM ANT	1pc
User Manual	1pc
Warranty Card	2pcs
Warranty Card Envelope	1pc

**How to use the BT:**

1. select the audio input to BT status
2. search BT device with name "Ramtons RA/103"
3. connect the BT
4. if your BT device below 2.0 version, input password "0000" when connecting.

NO.1

*Front panel*



NO.2

*Front panel*

- ST.BY-----Stand by function;
- MENU-----Menu function key.
- AUTO/||-----Play/Pause in USB/SD mode;  
Automatic FM radio search by pressing 3 secs;
- CH-/||-----Previous song in USB/SD mode;  
Previous saved channel in FM mode;
- CH+/||-----Next song in USB/SD mode;  
Next saved channel in FM mode;
- ① INPUT -----Input function key, switch among AUX/USB/SD/  
FM/BT mode;
- VOLUME-/+ ----- When rotating the button, the function is Volume+/  
Volume- function;
- ② SD/MMC CARD----- SD card socket
- ③ U DISK-----USB socket

\* When using SD card function, it is required to choose SD card whose memory is more than 512M and also is legal edition.

NO.3

**SAFETY PRECAUTION**



**WARNING:**  
To prevent fire or shock hazard, do not expose the unit to rain or moisture.

\*Note: This product is for indoor use only.

The lightning flash with arrowhead symbol, within an equilateral triangle, is intended to alert the user to the presence of uninsulated "dangerous voltage" within the product's enclosure that may be of sufficient magnitude to constitute a risk of electric shock.

The exclamation point within an equilateral triangle is intended to alert the user to the presence of important operating and maintenance (servicing) instructions in the literature accompanying the product.

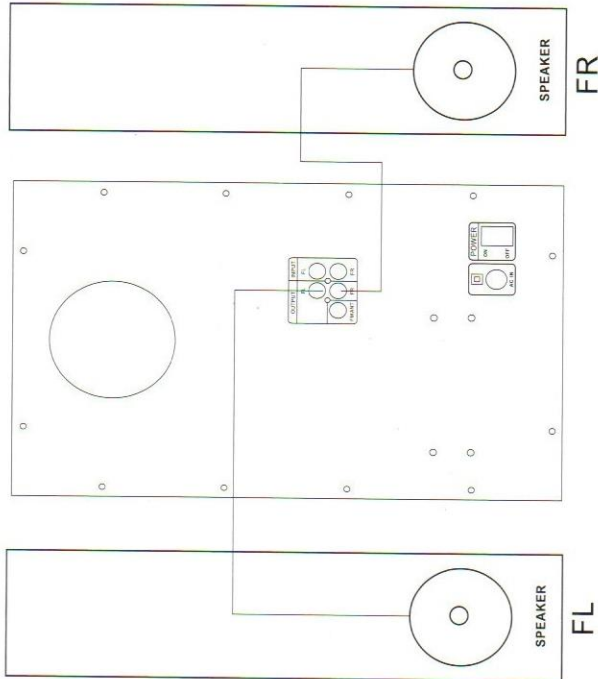
No naked flame sources, such as lighted candles, should be placed on the apparatus; Attention should be drawn to the environmental aspects of battery disposal. The batteries shall not be exposed to excessive heat such as sunshine, fire or the like.

**IMPORTANT SAFETY INSTRUCTIONS**

- 1) Read these instructions before using the product.
- 2) Read all warnings carefully.
- 3) Follow all instructions carefully.
- 4) Do not use this apparatus near water.
- 5) Clean only with dry cloth.
- 6) Do not block any ventilation openings. Install in accordance with the manufacturer's instructions.
- 7) Do not install the speaker system near any heat sources such as radiators, heat registers, stoves, or other apparatus (including amplifiers) that produce heat.
- 8) Protect the power cord from being walked on or pinched particularly at plug points and the point where they exit from the unit.
- 9) Only use attachments/accessories specified by the manufacturer.
- 10) Use only with the cart, stand, tripod, bracket, or table specified by the manufacturer, or sold with the unit. When a cart is used, be cautious while moving the cart/unit combination to avoid injury from tip-over.
- 11) Unplug this apparatus during lightning storms or when unused for long periods of time.
- 12) Refer all servicing to qualified service personnel. Servicing is required when the unit has been damaged in any way, such as power-supply cord or plug is damaged, liquid has been spilled or objects have fallen into the unit, the unit has been exposed to rain or moisture, does not operate normally, or has been dropped.

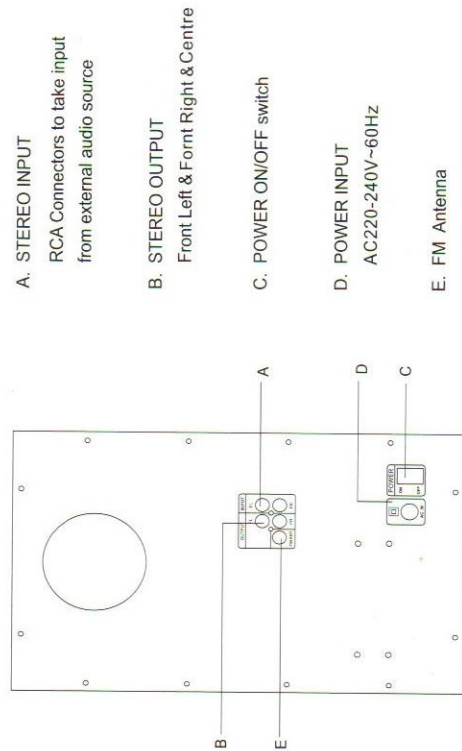


**SYSTEM CONNECTION DIAGRAM**



**SYSTEM CONNECTION DIAGRAM**

**SUBWOOFER REAR SIDE DESCRIPTION**



**A. STEREO INPUT**

RCA Connectors to take input from external audio source

**B. STEREO OUTPUT**

Front Left & Front Right & Centre

**C. POWER ON/OFF switch**

**D. POWER INPUT**

AC 220-240V ~60Hz

**E. FM Antenna**

**UNIT OPERATION**

- 1.) First plug the cable of the satellite into the output jack on the rear panel of the woofer, one end of the audio cord into the input jack on the rear panel, the other end into the output jack of the computer or any external audio source, the power cord into the power plug socket. Then switch on the unit, the unit starts to play and the default mode is AUX mode, if USB or SD/MMC slots have no memory connected.
- 2.) When inserted a USB or SD/MMC card, it will play from the device last inserted.
- 3.) When USB or SD/MMC card is working, press the PLAY/PAUSE button to pause the music, press the PLAY/PAUSE button again to resume music.
- 4.) When USB or SD/MMC card is playing, press the MODE button to cycle through the LINE IN, USB /SD/MMC card, Blue Tooth, FM mode.
- 5.) When USB or SD/MMC card is working, press the PREV and NEXT button to choose the previous or the next song. Press VOL- and VOL+ button to adjust the volume.
- 6.) After stop using the unit, turn off the power switch, unplug the power cord.

**FEATURES**

- Analog audio input.
- Support USB, SD/MMC card music player in Mp3 file format
- Full function remote control.
- FM radio.
- Built in 2 channel power amplifier.
- Compatible with MP3, WMA etc.
- Aux in function
- Blue Tooth function

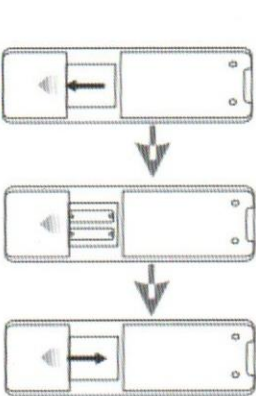
## AC POWER

### IMPORTANT NOTES

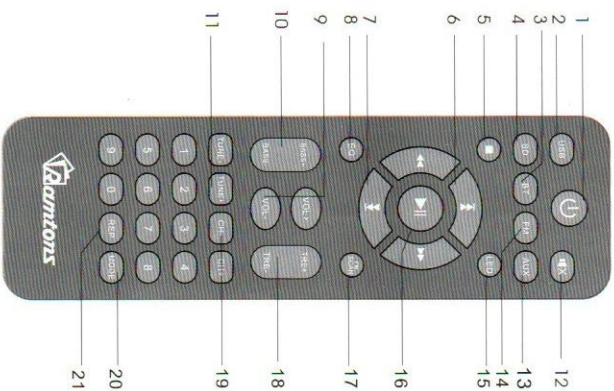
- Make sure the power supply is proper and never handle the power cord or its plug with wet hands when plugging into, or unplugging from, an outlet.
- Ensure that the main power switch is in the "OFF" position before connecting the AC power cord to the power supply to avoid damage to the unit.
- A damaged power cord can easily cause an electric shock or fire hazard! Never use a power cord after it has been damaged!

## BATTERY INSTALLATION

- 1) Open the battery case.
  - 2) Insert one battery without the polarity reversed.
  - 3) Close the battery case.
  - 4) Keep within 5 meter range, 30 degree angle while aiming at the unit.
- Precautionary note:  
Remove the battery when the unit is not being used for a long period of time.



## DESCRIPTION OF THE REMOTE CONTROL



1. POWER
2. USB
3. BT
4. SD
5. STOP
6. PREV
7. NEXT
8. EQ
9. VOL+/VOL-
10. BASS+/BASS-
11. TUNE+/TUNE-
12. MUTE
13. AUX
14. FM
15. LED
16. PLAY/PAUSE
17. FM SCAN
18. TRE+/TRE-
19. CH+/CH-
20. MODE
21. REP

\*Manual is only for reference, take practically according factual machine

# USER MANUAL



## 2.1 MULTIMEDIA SPEAKER SYSTEM



\*Manual is only for reference, take practically according factual machine