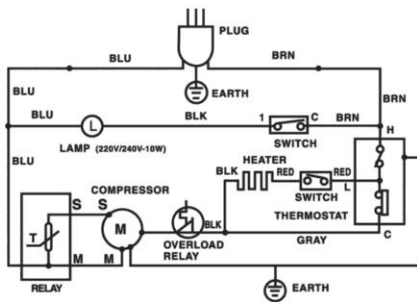
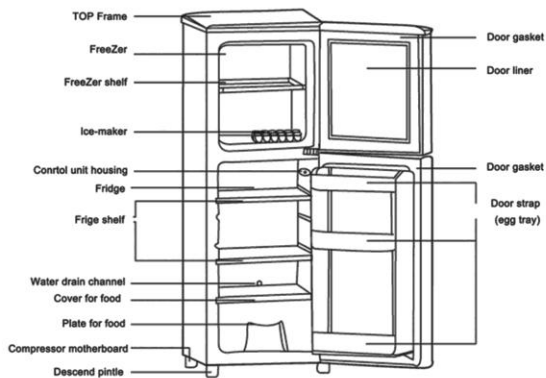


Circuit Diagram



The refrigerator refers to international popular are door structure, beautiful appearance, it is reasonable and economic choie for morden family.



Pay Attention To Below Case Which Exclude Common Malfunction

1. When air humidity is too high, surface of refrigerator may appear dewdrops which can be removed by soft rag.
2. Parts of two sides of refrigerator heat
3. Once Power supply off, it is normal for refrigerator's restart after 5 minutes.
4. Refrigerator makes sound like " SHI-SHI " , caused by refrigerant current during usage, and makes like " DA-DA " caused by switch of thermostat when starts or close compressor.

▲ As R600a and ensure that the use of R600a refrigerant products If the refrigerator for cooling systems in need of repair, we must find a point person to the designated repair maintenance. no demolition\transformation without refrigerators, refrigeration piping is prohibited.

▲ As R600a flammable, and forbids any acts can lead to leakage of refrigerant.

Warning-do not use mechanical equipment or other means to accelerate defrosting process except the ways the manufacturer recommend.

Warning-no other electric appliance can be used except the manufacturer recommend types.

Warning-do not damage the refrigeration circulation.

If soft electric wire damaged, we must use call the specialist from the manufacture or appointed agency and use dedicated.

*The replacement of the lamp

Disconnect the power plugs

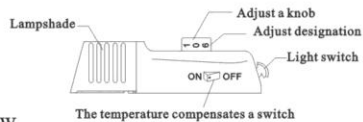
Remove the lamp cover,

take off the broken light bulb

Fitted with a new bulb,

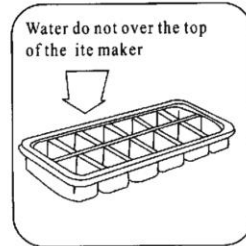
then the lamp cover

Light specifications: 220V 10W.



7

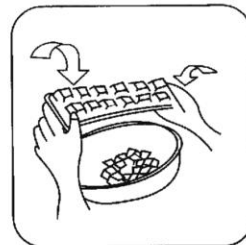
Forms of ice-making



Put the drink water into the ice-make



Put the ice-make into the freezer



Twist the ice maker and make the ice drop

4

• Maintenance

Do not put heavy or rubber - foot objects on the top of the refrigerator or would leave the trick of press or colour change. do not put the heat objects (such as teapot, electric heater) on the top of the refrigerator to avoid the state change or fire, please refer to below way as the refrigerator in the state of not run for a long period:

1. take out all food from the refrigerator.
2. clean and fry the refrigerator by opening the doors for 2-3 days.
3. if reeling the dull taste from refrigerator when reuse it, deorderizer of perfume food like lemon pieces etc., may be used to keep the dull taste away.
4. Need not to add oil to machinery components of refrigerator during stop running.

5. Make the refrigerator run every one or two months during the period out of run, however, it would be better not to stop.

• Method of Energy Saving

1. Seal for doors should be flat to prevent cold air leak from the refrigerator.
2. Open or close door quickly, food placed in the refrigerator should be reasonable in size.
3. Do not store hot food into the refrigerator:
4. condenser should be erased in time in order to prevent the dirty accumulated and effect thermolysis.
5. Leave enough space around refrigerator in order to increase the thermolysis.
6. Do not keep temperature too low for a long time.
7. Do not put into refrigerator the food which need not to cold.

• Maintenance Know-how

Maintenance is very important to prolong the refrigerator's life, generally it should be done monthly.

1. Cut off the power supply before maintenance.
2. Please clean by using soft rag with neutral cleaner, then cleanout and dry with clean-water.
3. Do not spray the refrigerator with water, or it will be caused poor isolation and lead to rust some iron components.
4. Do not clean the refrigerator with petrol, alcohol, Washing powder, strong corrosive.
5. Some substance like oil must be erased.
6. Dirty on the compressor, condenser must be erased once half a year.

• Malfunction Check

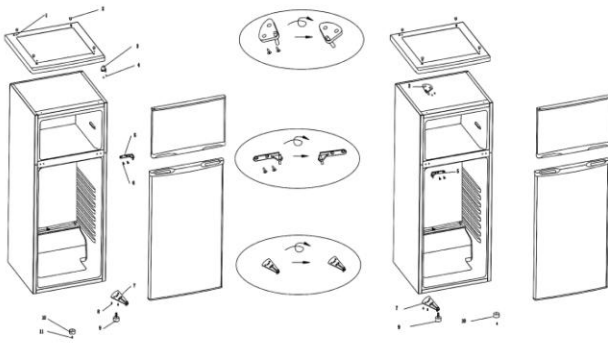
MALFUNCTION	CAUSE	MEASURE
Door lamp not work	1. Bulb ruined 2. Lamp switch glitch 3. Not twist tightly	1. Change another one under power off 2. Check or change another one 3. Twist tightly
Lamp work after close the door	1. The ridge on the door can not oppress switch tightly 2. Lamp switch glitch	1. Check and adjust lamp switch 2. Change another one

5

The refrigerator not run after turn on the power:	1. Power supply abnormally 2. Thermostat glitch 3. Starter or heat-over protector glitch 4. Plug of compressor glitch or poor-connected 5. Compressor oppressed or fuse ruined	1. Check power supply 2. Change another thermostat 3. Check or change another one 4. Insert plug of compressor tightly 5. Change another compressor, done by checker 6. Switch off under too low power supply, restart under normal power or equipped with manostat
Poor cold-making or non-cold-making under running	1. Refrigerant leak out 2. Components of compressor damaged 3. Filter blocked and dirty 4. Capillary blocked or ice-blocked 5. Number of knob of thermostat wrong 6. Food placed too much 7. Under sunshine or near to oven or heater 8. Too many times of door-opening 9. Leak through door seal 10. frost layer too thicker 11. Thick dirty on the surface of condenser	1. Add refrigerant after repairing the leak components 2. Change another compressor 3. Change another filter 4. Change another capillary and refrigerant 5. Turn the knob of thermostat to proper position 6. Replace the food and leave enough space between food 7. Move the refrigerator to well-ventilated, dry room, and keep away from any source of heat 8. Reduce the times of door-opening 9. Repair the seal of door 10. Defrost fully 11. Cleanout dirty periodically
No running under low temperature	1. Feeling-pipe of thermostat isolate or move away 2. Thermostat glitch 3. Knob of thermostat in unnormal position	1. Re-adjust and fix the thermostat feeling-pipe 2. Change another thermostat 3. Turn the knob to proper position
High noise	1. Unstable floor of refrigerator in unstable level 2. High noise of compressor 3. Components isolation or pipes touch	1. Make refrigerator even 2. Let checker repair 3. Make components tightly disjoin the touched pipe properly

6

- warning!when changing the way the door opens,the appliance must be connected to the mains . remove the plug from the mains before working on the door diagrams show left and right mounting of the door
1. To remove the 2 from the top with a screwdriver to remove the screwdriver, so that separation of top and refrigerator.
 2. With 4 screws to remove the screwdriver, so that separation of cap and 3.
 3. The freezer door is removed from the 5 put it in a safe location, to prevent knock.
 4. With 6 screws to remove the knife, so that separation of the refrigerator and 5.
 5. Will be frozen door removed from the 7 put it in a safe location, to prevent knock.
 6. With screwdriver screwdriver to remove the 8, 9 hand knob will be removed, so that separation of the refrigerator and 7
 7. Screwdriver with screws 11 removed, so that separation of the refrigerator 10.
 8. 7 moved to the refrigerator to the left, with 8 and 9 to 7 fixed.
 9. 10 moved to the right side of the refrigerator, using a fixed 11 to 10.
 10. Take place in the refrigerator door body 7, the rotating 5 to 6 fixed on the left side of the refrigerator.
 11. Take place in the freezer door 5, the rotating 3 to 4 fixed on the top left.
 12. Will be placed in the refrigerator at the top of roof with a roof and a refrigerator will be fixed at the same time from 2 coverage.



9

• Defrost:

Please clean the frost when it approach 5mm on the surface of the evaporator fully, in order to increase the efficiency and decrease the power consumption.

1. Normal Defrosting

Cut off the power. Transfer food to safety place, open the doors to speed up defrosting, cleanout and dry the ice-making and other compartments after the frost become water completely, then turn power on.

2. Quick Defrosting:

Turn off the power supply , take the food out of he ice-making compartment, put a container full of hot water into the ice-making compartment, close the door for 5-10 minutes,take the container with not water out and dry the ice - making compartment and other compartments after the frost totally become water, then turn on the power.

• Temperature Supplement

When the ambient temperature approach or lower than 10°C, turn on the switch of temperature supplement, or the time is too short for compressor's running and the refrigerator can not be in the state of lower temperature.

The switch is located in the front of the cover of the thermostat, please note that the switch should be turned off when ambient temperature is over 10°C, otherwise, the refrigerator would not stop running or be ruined.

• Temperature Adjustment:

The temperature of the refrigerator is controlled by thermostat which may adjust continuously through knob of thermostat numbered 0,1,2,3,4,5,6, " 0 " means power off, higher the number from 0 to 6, lower the temperature . in the refrigerator,please refer to the below diagram according to the alteration of ambient temperature.

NUMBER	USAGE PURPOSE
0	Stop running
1-2	Relative high
3-4	Normal
5	Relative low
6	Quick ice-making(turn the knob back in time, avoid to be Frozen)

3

TRANSPORTATION AND INSTALLATION REQUIREMENTS

- Transportation:
 1. It should be lifted from bottom. The lean angle no more than 45°, do not hold the radiator as a support point.
 - Installation:
 1. It should be placed in well - ventilated and dry room, keep away from source of heat and sunshine.
 2. It should be placed on firm , stable floor and adjust it to the stable position ,leave at least 10cm out from wall in order to make condenser radiate in good condition.
 - Safety Regulation
 1. Take away the foam , carton that can help the compressor heat radiation and avoid from fire accident.
 2. The corrosive,easily vaporized ,combustible substance, such as: acid ,alkali, alcohol , benzene , paint thinner, petrol , gas fuel, adhesive materials, must be kept away from the refrigerator , as they can cause fire or explosion.
 3. Turn off the gas and open the window when gas leak, do not operate refrigerator or pull the plug out , otherwise , it can cause an explosion by the sparking.
 4. The power supply should be cut off immediately , once meet the unstable or lower voltage.
 5. It is normal for voltage fluctuation between 187 - 242V(50Hz), and should be used independent socket for power and with fuse,meanwhile, the refrigerator must be well - earthed , the compressor may be damaged under the unstable power supply , please pay attention that it must not be used unless ensure above conditions.
 6. It must be replaced soft wire of RVV-30 /500 . if power wire is damaged .
 - USAGE
 - Food Storage:
 1. The frozen food should be kept in freezer which has ice making and store functions , the frozen food can be just stored in the freezer after 2 hours normal run.
 2. some food which do not need to be frozen,such as drinks and vegetables etc., should be kept in the fridge, please leave enough space for refrigerator's cold air well-circulated and packing the food with plastic bag,in order to avoid the odour mixed.
 3. Do not put more food into the refrigerator when the power supply is cut off, if the power supply is to be cut off for a long time,cleanout the water and the doors should not be opened for a long time.
- Method of Defrost

2

Main technical data

MODEL	POWER(V/Hz)	VOLUME(L)	FREEZER(L)	INPUT POWER(W)	CONSUMPTION (KW/24h)	REFRIGERANT(g)	NET WEIGHT(kg)	SIZE(L x W x H) (mm)
RF/171 RF/172 RF/174 RF/175 RF/176 RF/177 RF/253	220-240/50/60	128	38	120	0.84	R134a/85	35	450x493x1247
RF/249 RF/251 RF/258 RF/245 RF/219 RF/217 RF/244 RF/257	220-240/50/60	213	44	130	0.76	R134a/96	47	548x560x1443
RF/240 RF/241	220-240/50/60	350	78	140	1.12	R134a/120	60	600x590x1733
RF/260 RF/261	220-240/50/60	263	44	120	0.81	R134a/110	47	548x560x1718

NOTE: We reserve the right to modify the design and specifications without advice!

Accessory and Documents with Refrigerator

Model	Refrigerator	Ice maker	Door strap(Fre)	Freezer shelf	Door strap(Ref)	Shelf (Ref)	Egg rack	Box for food	Cover for food	Door strap	User's manual
RF/171 RF/173 RF/174 RF/175 RF/176 RF/177 RF/245 RF/250 RF/251 RF/249 RF/253 RF/219 RF/217 RF/244 RF/257	1	1	1	1	3	2	1	1	1	1	1
RF/240 RF/241	1	1	/	1	4	4	2	2	1	1	1
RF/261 RF/260	1	1	/	1	4	3	2	1	1	1	1

NOTE: We reserve the right to modify the design and specifications without advice!

⚠ No disassembly unless professional!

⚠ 1. This appliance is not intended for use by persons (including children)with reduced physical, sensory or mental capabilities, or lack of experience and knowledge, unless they have been given supervision or instruction concerning use of the appliance by a person responsible for their safety.

2. Children should be supervised to ensure that they do not play with the appliance.

3. If the power cord is broken, in order to avoid risk, it must be replaced by the manufacture, the authorized agent or some professional person.

8