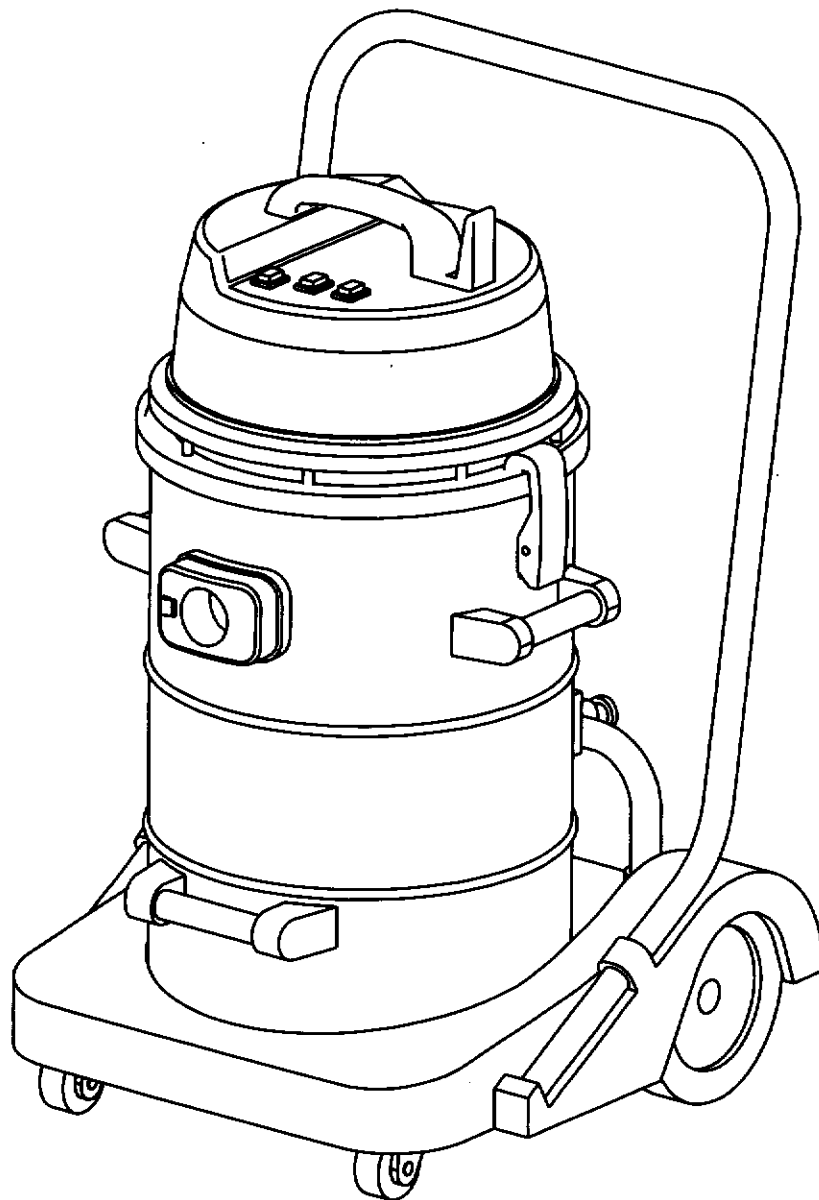


Ramtons

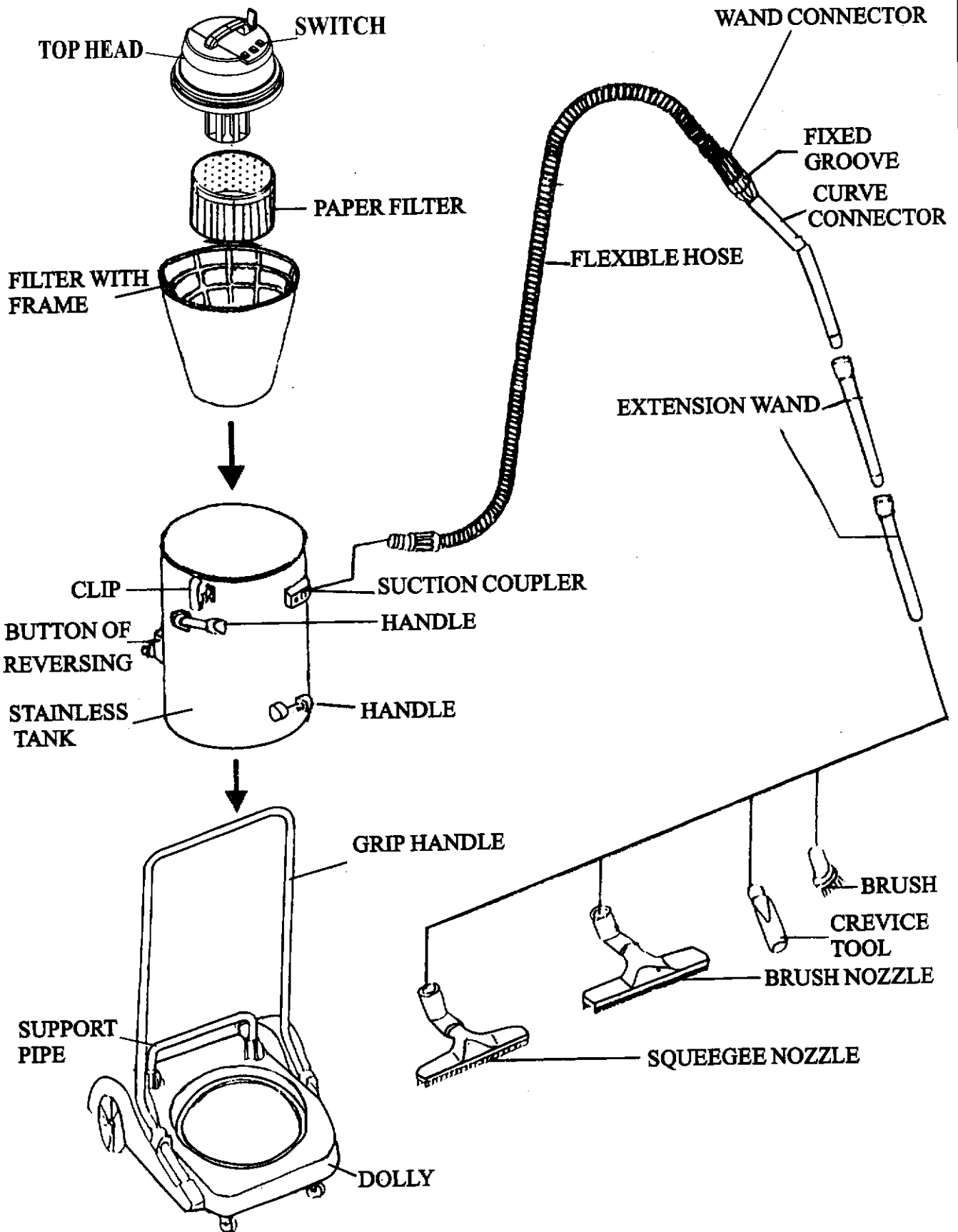
**TURBO INDUSTRIAL
VACUUM CLEANER
WITH 3 MOTORS
MODEL NO. RM/166**



Made in China

CE

1. PARTS NAME

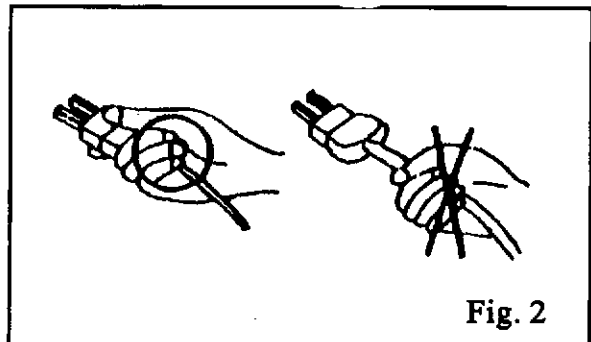
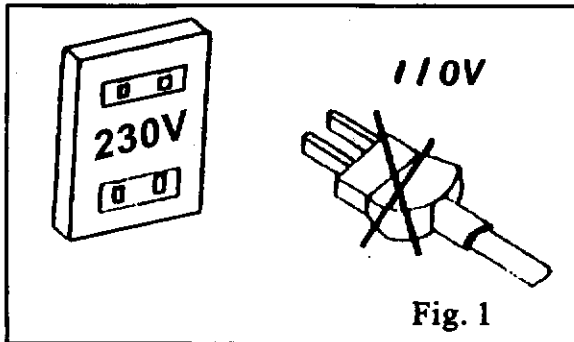


2. APPLICATION :

There are 3 motors inside the of vacuum cleaner. With high power, powerful suction and minimum noise, it is widely applied in shops; airport ; exhibition halls ; conference rooms and various public occasions. Controlled respectively by two switches, the two motors can be operated simultaneously or separately. That brings a great convenience to the user who can choose to start any number of motors to suit the occasion. The product is reasonably designed to save energy for household applications.

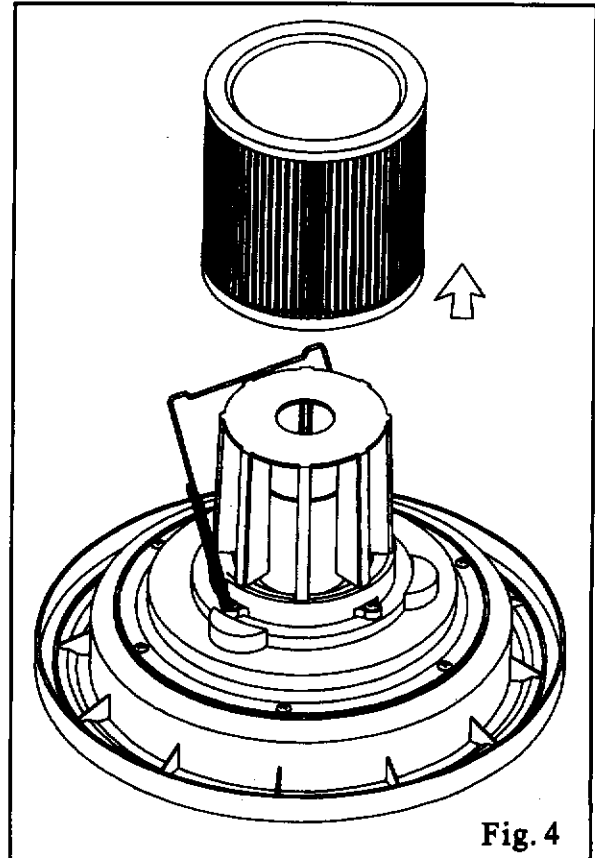
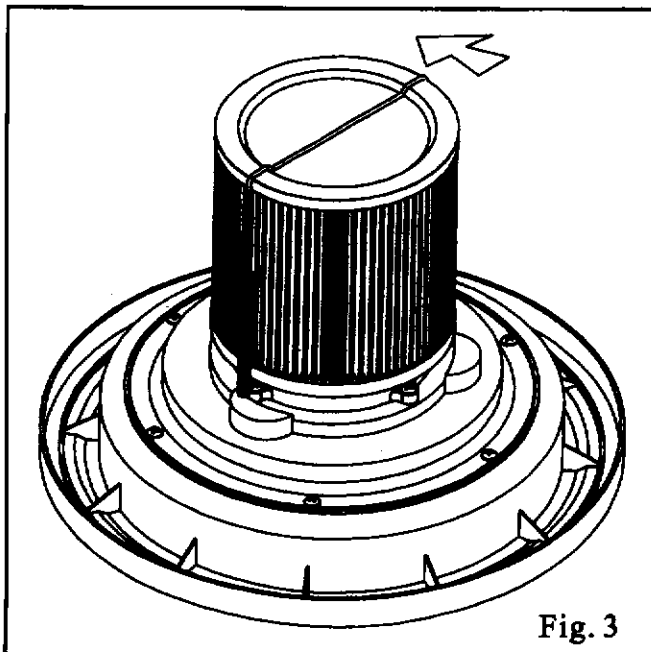
3. SPECIFICATION:

Model No.	:	RM/166
Voltage	:	230V
Power	:	3600W 50/60Hz
Stainless tank capacity	:	77L
Double Insulation	:	<input type="checkbox"/>



4. CAUTION :

- 1) The voltage of your power supply must be consistent with that specified in the instructions (as fig. 1)
- 2) After each use, hold the power plug and pull it out from the power socket. Do not use force on the cord (as fig. 2)



5. HOW TO REMOVE THE PAPER FILTER:

- ** Be sure to remove paper filter when suck the water.
- Push metal ping according to the arrow direction (as fig. 3), then remove the paper filter (as fig. 4)

6. HOW TO USE THE ACCESSORIES :

1) CONNECTION OF SUCTION COUPLER & HOSE

To use, insert the hose to the suction coupler with tightly. To pull out, push the knob outwardly and pull out the hose. (as fig. 5)

2) Extension wand and nozzles :

Insert a smaller and of an extension wand into a larger end of another wand (as fig. 6)

Note : paper filter is only for dry suction, be sure to remove paper filter when make wet suction.

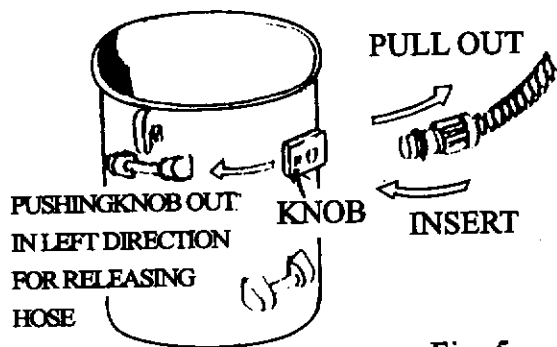


Fig. 5

EXTENSION WAND CONNECTING

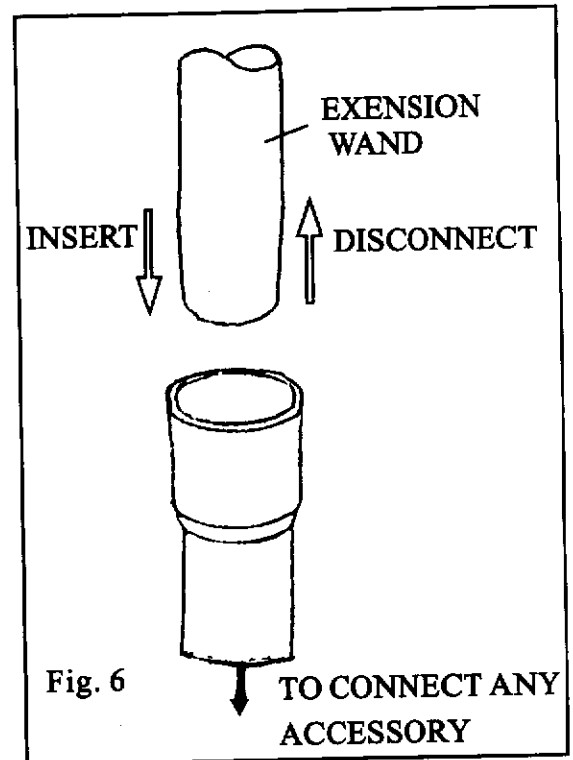
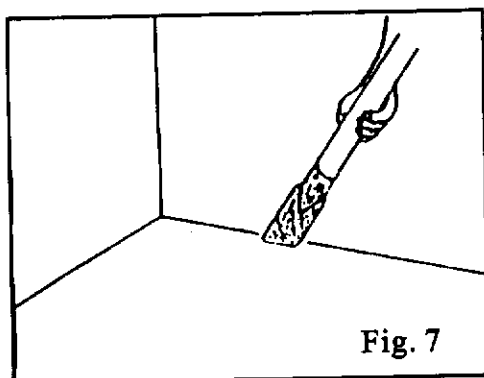
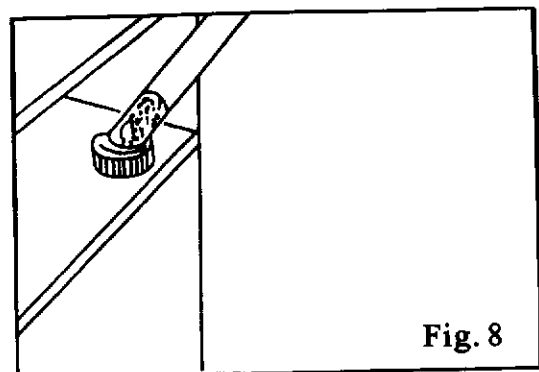


Fig. 6

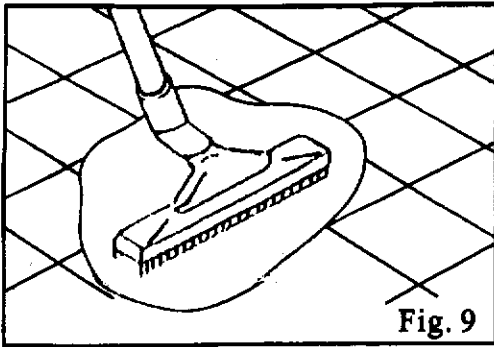
- 3) Where the crevice tool is used :
it is applicable for corners and narrow areas (as fig. 7)



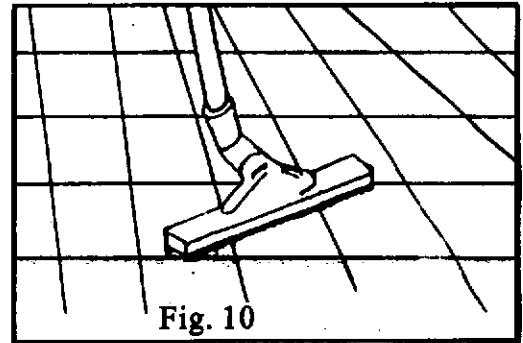
- 4) Where the brush is used :
it is applicable for table tops ; thresholds ; windows curtains and air conditioner brackets (as fig. 8)



5) Where the squeegee is used :
it is applicable for sucking up
water on the floor (as fig. 9)



6) Where the brush nozzle is used :
it is applicable for cleaning floors;
carpets (as fig. 10)



7. OPERATION OF OVERTURNING MECHANISM :

When the tank is full, use the overturning mechanism to empty the tank. First , remove the top head, take out the filter with frame (as fig. 11), then unlock the knob (as fig. 12) and step foot on the dolly then hold the grip handle with one hand and also hold and lift the handle by the other hand (as fig. 13) to empty tank.

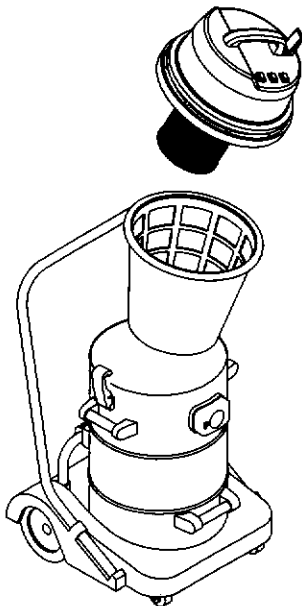


Fig. 11

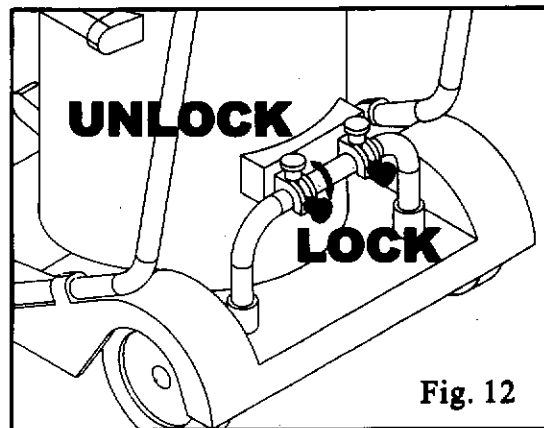


Fig. 12

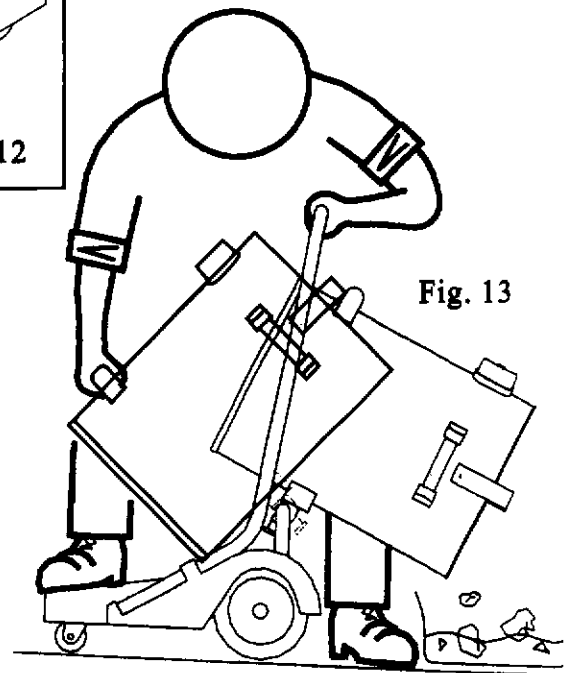
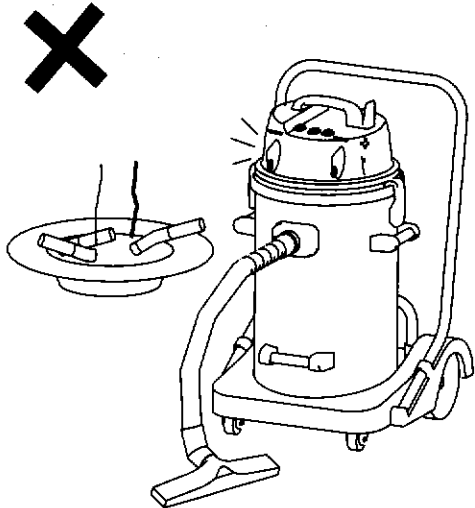


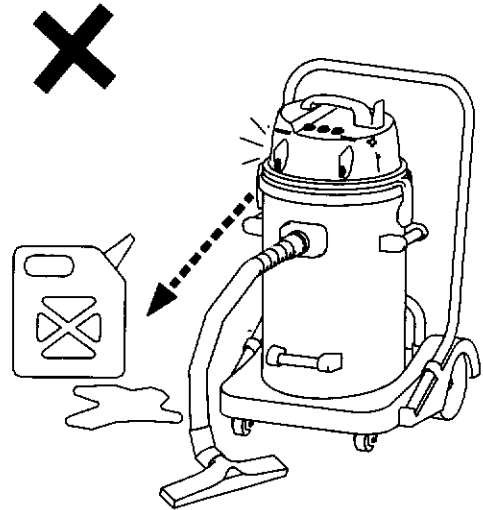
Fig. 13

WARNING:

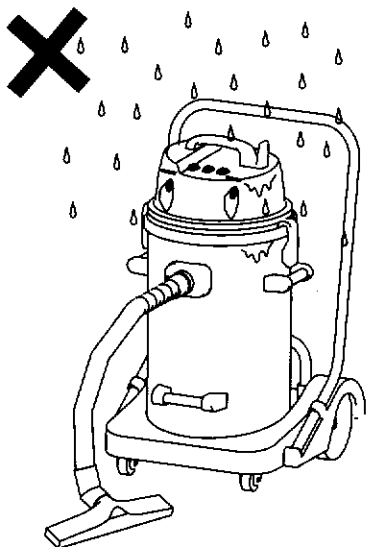
**Do not vacuum up hot ash.
Extinguish heat before cleaning a
Grate of grid.**



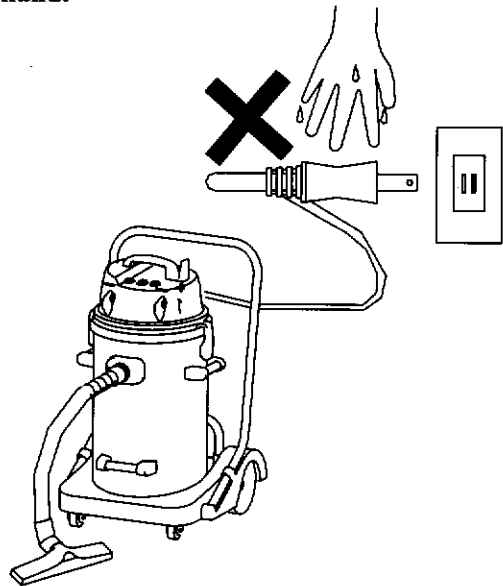
**Do not vacuum up inflammable or
combustible substances**



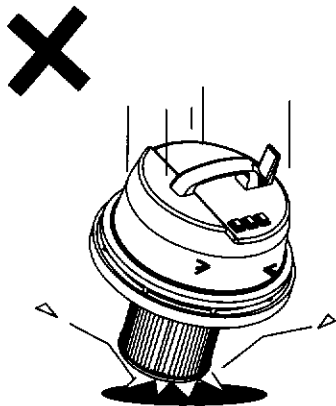
Do not immerse appliances in water or pose it to rain.



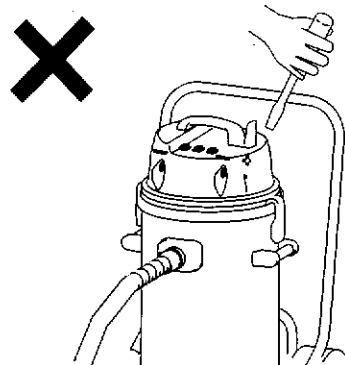
**When disconnecting the power cable, do not pull on
the cable only, but hold the plug to disconnect with bry
hand.**



Do not stand top head in inclination position.



**Leave servicing to qualified
technicians only**

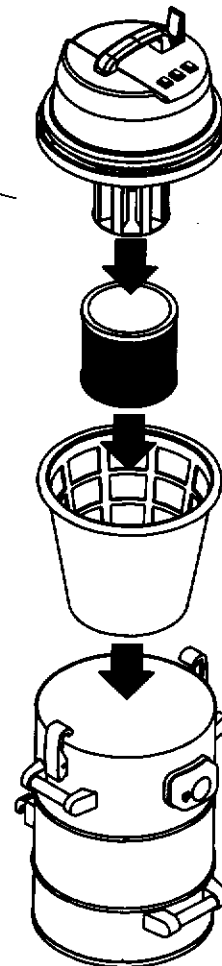
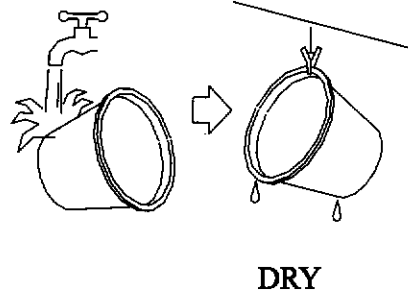
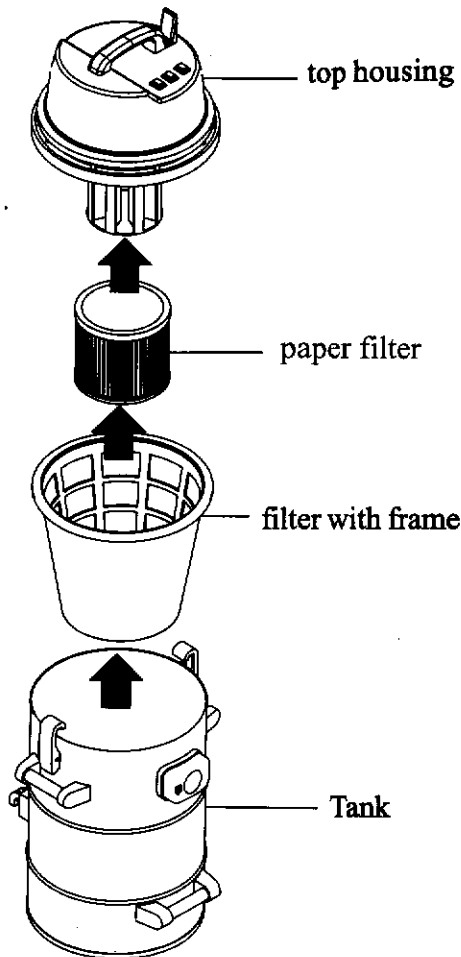


8. MAINTENANCE AND SERVICING :

To dismantle, unclip both latches and remove top housing and filter with frame.

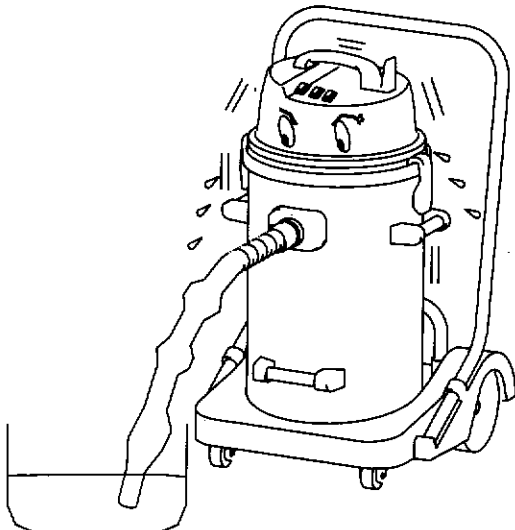
Wash the filter with water and allow it to dry.
After washing, remove excess water with a gentle squeegee

Replace the filter and top housing and rasten latches



REFER TO WATER LEVER SAFETY DEVICE

When the water level in the tank exceeds the safety level, the safety device will automatically block the inlet and motor turning sound will be changed, but power will remain ON, please switch off the power before pouring out the water in the tank.



REFER TO THE ACTION SOUND

This cleaner is designed with a powerful suction. Do not be alarmed if the motor noise increases when performing tougher cleaning work.

