



Juicer Extractor

Please read the instruction carefully before using



Model: JC-611

Rating: 220-240V 50Hz 450W

IMPORTANT SAFEGUARDS



When using electrical appliances, basic safety precautions should always be followed, including the following:

- Read all instructions.
- To protect against risk of electrical shock, do not immerse cord, plug or base in water or other liquid.
- Close supervision is necessary when any appliance is used by or near children. Never leave an appliance unattended when in use.
- Unplug from outlet when not in use, before putting on or taking off parts, and before cleaning. To unplug, grasp plug and pull straight out from outlet. Never pull cord.
- Avoid contacting moving parts. Keep fingers or objects other than food out of the chute.
- Always use the food pusher to feed food into the chute—never feed food by hand. If food becomes lodged in the chute, use the food pusher to push it down. If this method is not possible, turn the motor off and unplug before disassembling and attempting to remove remaining food.
- Do not operate any appliance with a damaged cord or plug or after the appliance malfunctions or is dropped or damaged in any manner. Return appliance to the nearest authorized service facility for examination, repair, or adjustment.
- The use of attachments not recommended or sold by the appliance manufacturer may cause fire, electric shock, or injury.
- Do not use outdoors.
- Do not operate or place any part of this appliance on or near any hot surfaces (such as gas or electric burner or in a heated oven.)
- Do not let cord hang over edge of table or counter, or touch hot surfaces.
- Always be sure the juice extractor cover is securely clamped in place before operating appliance. Do not unfasten clamps while appliance is in operation.
- Cutter/Strainer “teeth” are sharp; handle carefully.
- Be sure to turn switch to the OFF position after each use. Make sure the motor stops completely before disassembling.
- Do not operate this appliance in the presence of explosive and/or flammable fumes.
- Do not use appliance for other than intended use.
- This product is intended for household use only, not for commercial or industrial use.
- Do not use the appliance if the rotating sieve is damaged.
- This appliance is not intended for use by persons (including children) with reduced physical, sensory or mental capabilities, or lack of experience and knowledge, unless they have been given supervision or instruction

- concerning use of the appliance by a person responsible for their safety
- Children should be supervised to ensure that they do not play with the appliance
- If the supply cord is damaged, it must be replaced by the manufacturer or its service agent or a similarly qualified person in order to avoid a hazard.

This appliance is not intended for use by persons (including children) with reduced physical, sensory or mental capabilities, or lack of experience and knowledge, unless they have been given supervision or instruction concerning use of the appliance by a person responsible for their safety
 Children should be supervised to ensure that they do not play with the appliance

If the supply cord is damaged, it must be replaced by the manufacturer or its service agent or a similarly qualified person in order to avoid a hazard.

Correct Disposal of this product	
 	<p>This marking indicates that this product should not be disposed with other household wastes throughout the EU. To prevent possible harm to the environment or human health from uncontrolled waste disposal, recycle it responsibly to promote the sustainable reuse of material resources. To return your used device, please use the return and collection systems or contact the retailer where the product was purchased. They can take this product for environmental safe recycling.</p>

■

SAVE THESE INSTRUCTIONS

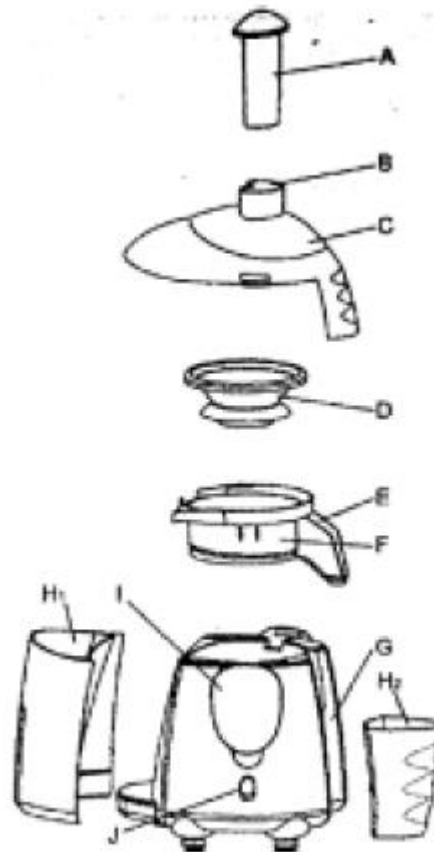
Household Use Only

TAMPER-RESISTANT SCREW

This appliance is equipped with a tamper-resistant screw to prevent removal of the bottom cover.
 To reduce the risk of fire or electric shock, do not attempt to remove the bottom cover. There are no user service able parts inside. Repair should be done only by authorized service personnel.

Description

- A Plunger
- B Feed-in Tube
- C Top Cover
- D Filtrate Toil
- E Spout
- F Segregator
- G Motor Unit
- H₁ Pulp Container
- H₂ Juice Cup
- I Lock Cover
- J On/Off Switch



How To Assemble

Before first use: unclamp the Lock Cover and carefully disassemble and wash the plunger, Top Cover, Filtrate Toil (CAUTION: The “teeth” are sharp), Segregator, Pulp container and juice cup in soapy water. Rinse and dry. Never immerse the motor Unit, wipe it with a damp sponge or cloth.

1. Fit the Segregator onto the motor unit.
2. Sit the Filtrate Toil into the hole of the Segregator. When properly “seated”, it should spin easily.
3. Fit the Top Cover onto the Segregator.
4. Raise the Lock Cover and fit the Tab of each Latch into the Groove on each side of the Top Cover. Press the bottom of each Latch to lock it in place. The unit will not operate unless the safety Locking Latches are securely clamped.

5. Position the Juice Cup under the Segregator spout so that the handle faces out.

How To Use

1. Prepare the fruit or vegetables to be processed by washing, peeling, pitting, and cutting them as needed to fit into the Chute.
2. Plug the cord into a standard correct volt AC outlet.
3. Be sure the Juice Cup is all the way under the Segregator spout so that processed juice will flow from the spout into the Cup. The Lock Cover must be clamped down or the Juice Extractor will not operate.
4. Press the “on” button.
5. Place food into the Feeder Tube and press down with the plunger. Never use your fingers to push the food down. Food can be continuously fed into the Feeder Tube without turning off the unit.
6. When you’re finished juicing or the Segregator or Juice Cup are full, turn the unit “off”. Unplug the unit.

Care and Cleaning

NOTE: To prolong the life of the unit, always clean all washable parts after every use.

1. Be sure the unit is “off” and unplugged before cleaning any part.
2. Unclamp the Lock Cover and remove the Top Cover, plunger, Filtrate Toil (be careful with the “teeth”), and Segregator. You may discard or compost the pulp from the Segregator.
3. Wash the Top Cover, plunger, Filtrate Toil, and Segregator, Pulp Container in hot, soapy water. These parts are not dishwasher-safe. The Filtrate Toil teeth are very sharp—handle carefully. Use a bristle brush to remove fine pulp that may remain. Rinse, dry, and reassemble the unit for storage.

NOTE: Over time, parts may discolor (especially from juicing carrots).

Juicing Tips

NOTE: Fresh fruits and vegetables are high in vitamins, minerals, and fiber. Five or more servings per day are recommended for optimum nutrition. Drinking freshly extracted juice is a great way to meet this minimum daily requirement for good health.

1. When juicing carrots, do not over pack the Feeder Tube. Place carrots in the Tube one by one and use gentle pressure on the plunger.
2. Juicing avocados or bananas will produce a puree rather than a juice.
3. Roll leafy vegetable such as spinach, lettuce, cabbage, or kale into compact rolls before putting them into the Tube.
4. One pound (454g) of raw produce generally yields one cup/8 oz. (240ml) of

juice.

5. When processing large quantities of get full and clean the Filtrate Toil to ensure better extraction as you proceed.
6. Serve fresh juices immediately for maximum benefit of flavor and nutrients. If you must keep them, store in a tightly covered jar in the refrigerator for up to 24 hours. Some juices like apple juice can darken rapidly. To keep juice from discoloring, add a few teaspoons of lemon, orange, or pineapple juice before storing.
7. For added flavor when cooking, use fruit or vegetable juices instead of beef or poultry stock or water when making soup, stews, or sauces.

Need Help?

Service, if necessary, must be performed by Authorized Household Appliance Service Center. The Service Center nearest you can be found in the yellow pages of your phone book under "Appliances-Small-Repairing". If mailing or shipping your unit, pack it carefully in a sturdy carton with enough packing material to prevent damage. Include a note describing the problem to our Service Center and be sure to give your return address. We also suggest that you insure the package for your protection.