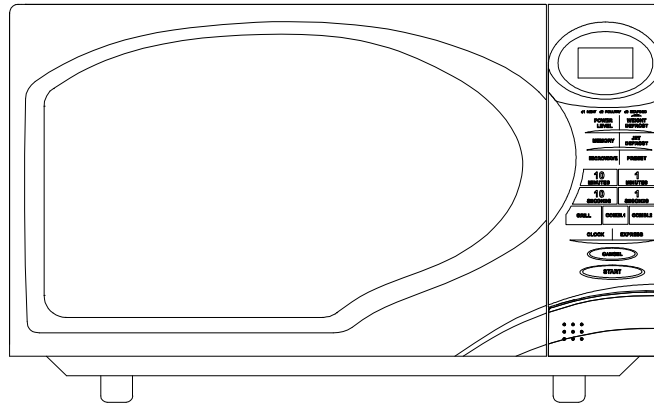




# MICROWAVE OVEN



MODEL: RM 236

## Owner 's Manual

1. READ these instructions carefully before installing and operating the oven. Keep them for further reference.
2. Record in the space below the SERIAL NO. found on the nameplate on your oven and retain this information for future reference.

SERIAL NO.:

## PRECAUTIONS TO AVOID POSSIBLE EXPOSURE TO EXCESSIVE MICROWAVE ENERGY

- (a) Do not attempt to operate this oven with the door open since open-door operation can result in harmful exposure to microwave energy. It is important not to defeat or tamper with the safety interlocks.
- (b) Do not place any object between the oven front face and the door or allow soil or cleaner residue to accumulate on sealing surfaces.
- (c) Do not operate the oven if it is damaged. It is particularly important that the oven door close properly and that there is no damage to the:
  - ① Door (bent),
  - ② Hinges and latches (broken or loosened),
  - ③ Door seals and sealing surfaces.
- (d) The oven should not be adjusted or repaired by anyone except properly qualified service personnel.

## CONTENTS

PRECAUTIONS TO AVOID POSSIBLE EXPOSURE TO EXCESSIVE MICROWAVE ENERGY....	1
IMPORTANT SAFETY INSTRUCTIONS.....	2
SPECIFICATIONS.....	4
INSTALLATION.....	4
RADIO INTERFERENCE.....	4
GROUNDING INSTRUCTIONS.....	5
MICROWAVE COOKING PRINCIPLES.....	5
BEFORE YOU CALL FOR SERVICE.....	5
UTENSILS GUIDE.....	6
PART NAMES.....	6
CONTROL PANEL.....	7
HOW TO SET THE OVEN CONTROLS.....	8
<i>SETTING THE CLOCK</i> .....	8
<i>MICROWAVE COOKING</i> .....	8
<i>PRESET</i> .....	8
<i>EXPRESS</i> .....	8
<i>GRILL COOKING</i> .....	9
<i>COMBINATION COOKING</i> .....	9
<i>JET DEFROST</i> .....	9
<i>WEIGHT DEFROST</i> .....	9
<i>MULTISTAGE COOKING</i> .....	9
<i>KITCHEN TIMER</i> .....	10
<i>SAFETY LOCK</i> .....	10
CLEANING AND CARE.....	11

# IMPORTANT SAFETY INSTRUCTIONS

When using electrical appliance basic safety precautions should be followed, including the following:

**WARNING:** To reduce the risk of burns, electric shock, fire, injury to persons or exposure to excessive microwave energy:

1. Read all instructions before using the appliance.
2. Use this appliance only for its intended use as described in this manual. Do not use corrosive chemicals or vapors in this appliance. This type of oven is specifically designed to heat, cook or dry food. It is not designed for industrial or laboratory use.
3. Do not operate the oven when empty.
4. Do not operate this appliance if it has a damaged cord or plug, if it is not working properly or if it has been damaged or dropped. If the supply cord is damaged, it must be replaced by the manufacturer or its service agent or a similarly qualified person in order to avoid a hazard
5. **WARNING:** Only allow children to use the oven without supervision when adequate instructions have been given so that the child is able to use the oven in a safe way and understands the hazards of improper use.
6. **Warning:** When the appliance is operated in the combination mode, children should only use the oven under adult supervision due to the temperatures generated.
7. To reduce the risk of fire in the oven cavity:
  - a. When heating food in plastic or paper container, keep an eye on the oven due to the possibility of ignition.
  - b. Remove wire twist-ties from paper or plastic bags before placing bag in oven.
  - c. If smoke is observed, switch off or unplug the appliance and keep the door closed in order to stifle any flames.
  - d. Do not use the cavity for storage purposes. Do not leave paper products, cooking utensils or food in the cavity when not in use.
8. **WARNING:** Liquid or other food must not be heated in sealed containers since they are liable to explode.
9. Microwave heating of beverage can result in delayed eruptive boiling, therefore care has to be taken when handle the container.
10. Do not fry food in the oven. Hot oil can damage oven parts and utensils and even result in skin burns.
11. Eggs in their shell and whole hard-boiled eggs should not be heated in microwave ovens since they may explode even after microwave heating has ended.
12. Pierce foods with heavy skins such as potatoes, whole squash, apples and chestnuts before cooking.
13. The contents of feeding bottles and baby jars should be stirred or shaken and the temperature should be checked before serving in order to avoid burns.
14. Cooking utensils may become hot because of heat transferred from the heated food. Potholders may be needed to handle the utensil.
15. Utensils should be checked to ensure that they are suitable for use in microwave oven.
16. **WARNING:** It is hazardous for anyone other than a trained person to carry out any service or repair operation which involves the removal of any cover which gives protection against exposure to microwave energy.
17. This product is a Group 2 Class B ISM equipment. The definition of Group 2 which contains all ISM (Industrial, Scientific and Medical) equipment in which radio-frequency energy is intentionally generated and/or used in the form of electromagnetic radiation for the treatment of material, and spark erosion equipment. For Class B equipment is equipment suitable for use in domestic establishments and in establishments directly connected to a low voltage power supply network which supplies buildings used for domestic purpose.
18. This appliance is not intended for use by persons (including children) with reduced physical, sensory or mental capabilities, or lack of experience and knowledge, unless they have been given supervision or instruction concerning use of the appliance by a person responsible for their safety.
19. Children should be supervised to ensure that they do not play with the appliance.
20. The microwave oven is only used in freestanding.
21. **WARNING:** Do not install oven over a range cooktop or other heat-producing appliance. if installed could be damaged and the warranty would be avoid .
22. The accessible surface may be hot during

- operation.
23. The microwave oven shall not be placed in a cabinet.
  24. The door or the outer surface may get hot when the appliance is operating.
  25. The temperature of accessible surfaces may be high when the appliance is operating.
  26. The appliance shall be placed against a wall.
  27. Appliance is not to be used by children or persons with reduced physical, sensory or mental capabilities, or lack of experience and knowledge, unless they have been given supervision or instruction.
  28. Children being supervised not to play with appliance.
  29. **WARNING:** If the door or door seals are damaged, the oven must not be operated until it has been repaired by a competent person.
  30. The instructions shall state that appliances are not intended to be operated by means of an external timer or separate remote-control system.
  31. The microwave oven is for household use only and not for commercial use.
  32. Never remove the distance holder in the back or on the sides, as it ensures a minimum distance from the wall for air circulation.
  33. Please secure the turn table before you move the appliance to avoid damages.
  34. **Caution:** It is dangerous to repair or maintain the appliance by no other than a specialist because under these circumstances the cover have to be removed which assures protection against microwave radiation. This applies to changing the power cord or the lighting as well. Send the appliance in these cases to our service centre.
  35. The microwave oven is intended for defrosting, cooking and steaming of food only.
  36. Use gloves if you remove any heated food.
  37. **Caution!** Steam will escape, when opening lids or wrapping foil.
  38. This appliance can be used by children aged from 8 years and above and persons with reduced physical, sensory or mental capabilities or lack of experience and knowledge if they have been given supervision or instruction concerning use of the appliance in a safe way and understand the hazards involved. Children shall not play with the appliance. Cleaning and user maintenance shall not be made by children unless they are aged from 8 years and above and supervised.
  39. If smoke is emitted, switch off or unplug the appliance and keep the door closed in order to stifle.

## SPECIFICATIONS

Power Consumption:	230V~50Hz, 1400W (Microwave) 1000W (Grill)
Rated microwave power output:	900W
Operation Frequency:	2450MHz
Outside Dimensions:	281mm(H)×483mm(W)×375mm(D)
Oven Cavity Dimensions:	220mm(H)×340mm(W)×320mm(D)
Oven Capacity:	23Litres
Cooking Uniformity:	Turntable System
Net Weight:	Approx.14.1kg

## INSTALLATION

1. Make sure that all the packing materials are removed from the inside of the door.
2. **WARNING:** Check the oven for any damage, such as misaligned or bent door, damaged door seals and sealing surface, broken or loose door hinges and latches and dents inside the cavity or on the door. If there is any damage, do not operate the oven and contact qualified service personnel.
3. This microwave oven must be placed on a flat, stable surface to hold its weight and the heaviest food likely to be cooked in the oven.
4. Do not place the oven where heat, moisture or high humidity are generated, or near combustible materials.
5. For correct operation, the oven must have sufficient airflow. Allow 20cm of space above the oven, 10cm at back and 5cm at both sides. Do not cover or block any openings on the appliance. Do not remove feet.
6. Do not operate the oven without glass tray, roller support, and shaft in their proper positions.
7. Make sure that the power supply cord is undamaged and does not run under the oven or over any hot or sharp surface.
8. The socket must be readily accessible so that it can be easily unplugged in an emergency.
9. Do not use the oven outdoors.

## RADIO INTERFERENCE

Operation of the microwave oven can cause interference to your radio, TV or similar equipment.

When there is interference, it may be reduced or eliminated by taking the following measures:

- a. Clean door and sealing surface of the oven.
- b. Reorient the receiving antenna of radio or television.
- c. Relocate the microwave oven with respect to the receiver.
- d. Move the microwave oven away from the receiver.
- e. Plug the microwave oven into a different outlet so that microwave oven and receiver are on different branch circuits.

## GROUNDING INSTRUCTIONS

This appliance must be grounded. This oven is equipped with a cord having a grounding wire with a grounding plug. It must be plugged into a wall receptacle that is properly installed and grounded. In the event of an electrical short circuit, grounding reduces risk of electric shock by providing an escape wire for the electric current. It is recommended that a separate circuit serving only the oven be provided. Using a high voltage is dangerous and may result in a fire or other accident causing oven damage.

**WARNING:** Improper use of the grounding plug can result in a risk of electric shock.

### Notes:

1. If you have any questions about the grounding or electrical instructions, consult a qualified electrician or service person.
2. Neither the manufacturer nor the dealer can accept any liability for damage to the oven or personal injury resulting from failure to observe the electrical connection procedures.

The wires in this mains cable are colored in accordance with the following code:

**Green and Yellow = EARTH**

**Blue = NEUTRAL**

**Brown = LIVE**

## MICROWAVE COOKING PRINCIPLES

1. Arrange food carefully. Place thickest areas towards outside of dish.
2. Watch cooking time. Cook for the shortest amount of time indicated and add more as needed. Food severely overcooked can smoke or ignite.
3. Cover foods while cooking. Covers prevent spattering and help foods to cook evenly.
4. Turn foods over once during microwaving to speed cooking of such foods as chicken and hamburgers. Large items like roasts must be turned over at least once.
5. Rearrange foods such as meatballs halfway through cooking both from top to bottom and from the center of the dish to the outside.

## BEFORE YOU CALL FOR SERVICE

If the oven fails to operate:

1. Check to ensure that the oven is plugged in securely. If it is not, remove the plug from the outlet, wait 10 seconds and plug it in again securely.
2. Check for a blown circuit fuse or a tripped main circuit breaker. If these seem to be operating properly, test the outlet with another appliance.
3. Check to ensure that the control panel is programmed correctly and the timer is set.
4. Check to ensure that the door is securely closed engaging the door safety lock system. Otherwise, the microwave energy will not flow into the oven.

IF NONE OF THE ABOVE RECTIFIES THE SITUATION, THEN CONTACT A QUALIFIED TECHNICIAN. DO NOT TRY TO ADJUST OR REPAIR THE OVEN YOURSELF.

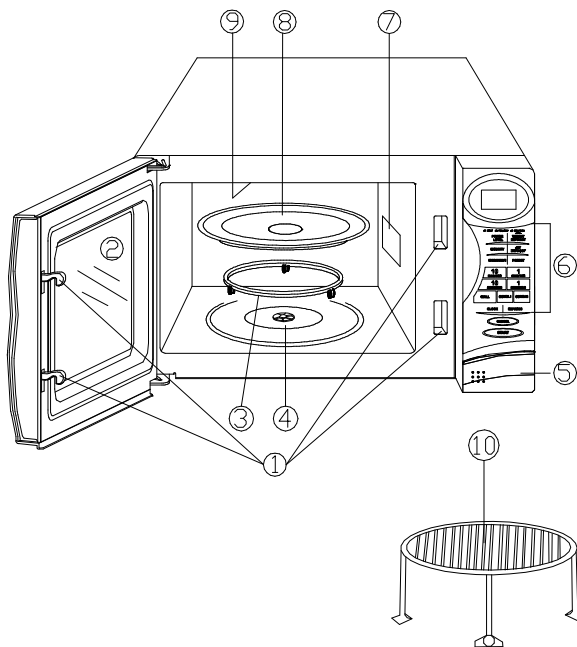
## UTENSILS GUIDE

1. The ideal material for a microwave utensil is transparent to microwave, it allows energy to pass through the container and heat the food.
2. Microwave can not penetrate metal, so metal utensils or dishes with metallic trim should not be used.
3. Do not use recycled paper products when microwave cooking, as they may contain small metal fragments which may cause sparks and/or fires.
4. Round /oval dishes rather than square/oblong ones are recommend, as food in corners tends to overcook.
5. Narrow strips of aluminum foil may be used to prevent overcooking of exposed areas. But be careful don't use too much and keep a distance of 1 inch (2.54cm) between foil and cavity.

The list below is a general guide to help you select the correct utensils.

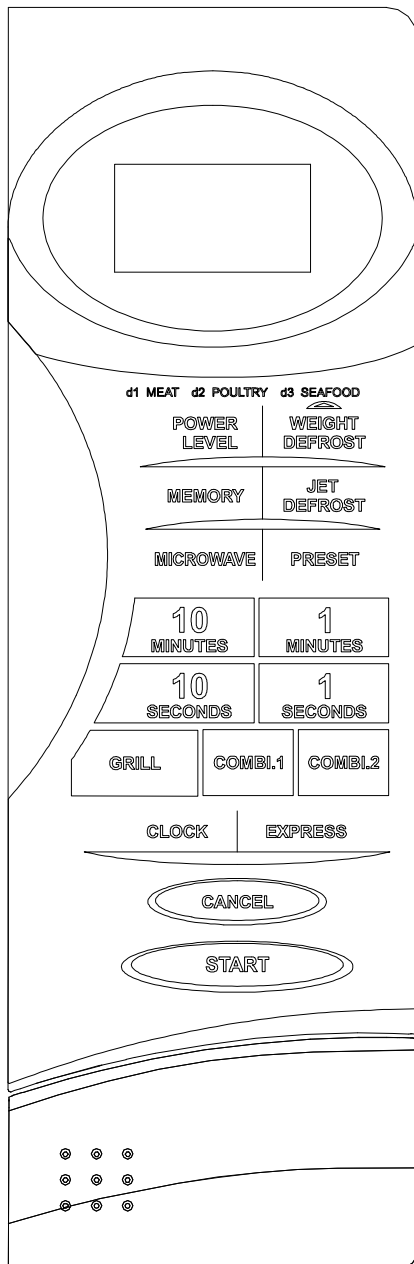
Cookware	Microwave Cooking	Grill Cooking	Combination Cooking
Heat-Resistant Glass	Yes	Yes	Yes
Non Heat-Resistant Glass	No	No	No
Heat-Resistant Ceramics	Yes	Yes	Yes
Microwave-Safe Plastic Dish	Yes	No	No
Kitchen Paper	Yes	No	No
Metal Tray	No	Yes	No
Metal Rack	No	Yes	No
Aluminum Foil & Foil Containers	No	Yes	No

## PART NAMES



1. Door Safety Lock System
2. Oven Window
3. Roller Ring
4. Shaft
5. Door Release Button
6. Control Panel
7. Wave Guide
8. Glass Tray
9. Heater
10. Metal Rack

# CONTROL PANEL



## DISPLAY

Cooking time, power, indicators and present time are displayed.

## NUMBER PADS:

10 Min.	1000g	1 Min.	100g
10 Sec.	10g	1 Sec.	1g

Touch to set clock, cooking time or enter food weight.

## MICROWAVE

Use to set microwave cooking program.

## GRILL

Use to set grill cooking program.

## COMBI.1 & COMBI.2

Use to set combination cooking program.

## WEIGHT DEFROST

Use to defrost frozen meat, poultry and seafood by weight.

## JET DEFROST

Use to defrost foods by time.

## EXPRESS

Use to set an express cooking program.

## POWER LEVEL

Use to set power level. To check power level during time cooking, touch POWER LEVEL pad.

## PRESET

Use to set the oven to start-up at a later time.

## CANCEL

Touch to cancel the selected power level, cook or defrost times that previously programmed. But the time of day clock cannot be cancelled.

## START

Touch to start the cooking or defrosting programs. The cooking indicator light and the oven light will turn on and the cooling fan will operate.

## CLOCK

Use to set the time of day or recall the time of day.

## MEMORY

Touch to set a multistage cooking program.



## HOW TO SET THE OVEN CONTROLS

Each time a button is touched, a beep will sound to acknowledge the touch.

### **SETTING THE CLOCK**

Suppose you want to enter the correct time of day: 00(A.M or P.M).

Steps:

1. Touch CLOCK pad.
2. Touch CANCEL pad.
3. Touch number pad "1 Min" 6 times.
4. Touch CLOCK pad again to confirm.

**NOTE:** This is a 12-hour clock. When the oven was plugged in, "1:01" should have appeared in the display. To reset the time of day, repeat the steps given above. You can check the clock time while cooking is in progress by touching the CLOCK pad.

### **MICROWAVE COOKING**

Suppose you want to cook for 5 minutes at 60%.

Steps:

1. Touch MICROWAVE pad.
2. Touch number pad "1 Min" 5 times.
3. Touch POWER LEVEL pad 3 times.
4. Touch START pad.

Select power level by pressing the button:

Press POWER LEVEL	Cooking Power
Once	100% (P10)
Twice	80% (P8)
3 times	60% (P6)
4 times	40% (P4)
5 times	20% (P2)
6 times	0 (P0)

**NOTE:** Step 3 is not necessary for cooking at

100% power level. The longest cooking time is 99 minutes and 99 seconds.

### **PRESET**

Suppose you want to set the oven to start-up at 2 o'clock.

Steps:

1. Touch PRESET pad.
2. Touch number pad "1 Min" twice.
3. Set the cooking programs.
4. Touch START pad.

**NOTE:** All cooking modes except Quick start can be set with the preset function. Be sure the time of day clock is set at the correct time before programming preset.

### **EXPRESS**

Use this feature to program the oven for 4 popular microwave timings.

With each touch of the EXPRESS pad you can program the oven for:

- 15 seconds .....TOUCH ONCE
- 30 seconds.....TOUCH TWICE
- 1 minute.....TOUCH 3 TIMES
- 2 minutes.....TOUCH 4 TIMES

The oven will operate at HIGH power (100% power output) for express cooking program.

Suppose you want to set the oven to cook for 1 minute at 100% by using the feature.

Steps:

1. Touch the EXPRESS pad repeatedly until "1:00" appears on the display.
2. Touch START pad.

## **GRILL COOKING**

Suppose you want to grill for 40 minutes.

Steps:

1. Touch GRILL pad.
2. Touch number pad "10 Min" 4 times.
3. Touch START pad.

**NOTE:** The longest cooking time is 99 minutes and 99 seconds.

## **COMBINATION COOKING**

### **COMBINATION 1**

30% time for microwave cooking, 70% time for grill cooking. Use for fish or au gratin.

### **COMBINATION 2**

55% time for microwave cooking, 45% time for grill cooking. Use for pudding omelets, baked potatoes, and poultry.

Suppose you want to set the oven to COMBINATION 2 for 25 minutes.

Steps:

1. Touch COMBI. 2 pad.
2. Touch number pad "10 Min" twice and "1 Min" 5 times.
3. Touch START pad.

**NOTE:** The longest cooking time is 99 minutes and 99 seconds.

## **JET DEFROST**

Use to defrost foods by time. The longest time you can enter to defrost food is 99 minutes and 99 seconds. Suppose you want to set the oven to JET DEFROST for 5 minutes and 30 seconds.

Steps:

1. Touch JET DEFROST pad.
2. Touch number pad "1 Min" 5 times and "10 Sec" 3 times.
3. Touch START pad.

## **WEIGHT DEFROST**

The defrosting time and power level are automatically set once the food category and the weight are programmed. The maximum allowable weight for each category is shown below.

FOOD CATEGORY	MAXIMUM WEIGHT	DISPLAY
Meat	2300g	d1
Poultry	4000g	d2
Seafood	900g	d3

Suppose you want to defrost 600g shrimp.

Steps:

1. Touch WEIGHT DEFROST pad 3 times. "d3" will appear in the display.
2. Touch number pad "1 Min" 6 times.
3. Touch START pad.

### **NOTE:**

You may need to turn food over at the middle of cooking time to obtain uniform cooking.

For foods exceeding these maximum weights, use the Jet Defrost program. If you program weight in excess of the maximum recommended, the oven will not operate properly.

After a cooking or defrosting program has completed, the oven will automatically sound three beeps. And continue to beep every two minutes until the door is opened or any key is touched.

## **MULTISTAGE COOKING**

The oven has the ability to be programmed to do several consecutive functions.

Suppose you want set the following cooking program:

- ① Jet defrost;
- ② Microwave cooking;

### ③ Grill cooking.

Steps:

1. Touch CANCEL pad.
2. Input Jet defrost program.
3. Touch MEMORY pad.
4. Input Microwave cooking program.
5. Touch MEMORY pad.
6. Input Grill cooking program.
7. Touch START pad.

**NOTE:** Jet Defrost and Weight Defrost can only be selected before the cooking stage in a program. It can not be selected between or after stage1 or stage 2. The respective lights will come on to indicate which stage the oven is operating in. After total time has elapsed, beeps will sound.

### ***KITCHEN TIMER***

Use for timing things done outside the oven.

Steps:

1. Touch MICROWAVE pad.

2. Use number pads to input needed time.
3. Touch POWER LEVEL pad 6 times and the display will show "0".
4. Touch START pad.

**NOTE:** Beeps will sound at the end of the elapsed time. The oven light and cooling fan will turn on while the time is counting down but there is no microwave present.

### ***SAFETY LOCK***

To set the SAFETY LOCK

Press CANCEL button for 3 seconds, a beep will sound and the child lock indicator light will come on.

To cancel the SAFETY LOCK

Press CANCEL button for 3 seconds, a beep will sound and the child lock indicator light will go out.

**NOTE:** You can not operate the oven while the child lock is set.

## CLEANING AND CARE

1. Turn off the oven and remove the power plug from the wall socket before cleaning.
2. Keep the inside of the oven clean. When food splatters or spilled liquids adhere to oven walls, wipe with a damp cloth. Mild detergent may be used if the oven gets very dirty. Avoid the use of spray and other harsh cleaners as they may stain, streak or dull the door surface.
3. The outside surfaces should be cleaned with a damp cloth. To prevent damage to the operating parts inside the oven, water should not be allowed to seep into the ventilation openings.
4. Wipe the door and window on both sides the door seals and adjacent parts frequently with a damp cloth to remove any spills or splatters. Do not use abrasive cleaner.
5. Do not allow the control panel to become wet. Clean with a soft, damp cloth. When cleaning the control panel, leave oven door open to prevent oven from accidentally turning on.
6. If steam accumulates inside or around the outside of the oven door, wipe with a soft cloth. This may occur when the microwave oven is operated under high humidity conditions, this is normal.
7. It is occasionally necessary to remove the glass tray for cleaning. Wash the tray in warm sudsy water or in a dishwasher.
8. The roller ring and oven floor should be cleaned regularly to avoid excessive noise. Simply wipe the bottom surface of the oven with mild detergent. The roller ring may be washed in mild sudsy water or dishwasher. When removing the roller ring from cavity floor for cleaning, be sure to replace in the proper position.
9. Remove odors from your oven by combining a cup of water with the juice and skin of one lemon in a deep microwaveable bowl, microwave for 5 minutes. Wipe thoroughly and dry with a soft cloth.
10. When it becomes necessary to replace the oven light, please consult a dealer to have it replaced.
11. The oven should be cleaned regularly and any food deposits removed. Failure to maintain the oven in a clean condition could lead to deterioration of the surface that could adversely affect the life of the appliance and possibly result in a hazardous situation.
12. Please do not dispose this appliance into the domestic rubbish bin; it should be disposed to the particular disposal center provided by the municipalities.
13. When the microwave ovens have grill function is first used, it may produce slight smoke and smell. This is a normal phenomenon, because the oven is made of a steel plate coated with lubricating oil, and odor generated by burning the lubricating oil. This phenomenon will disappear after a period of using.

### Caution.

Caution is required with Oily Foods. Please  
Wipe Interior Clean to avoid build up of oil  
Which is inflammable.