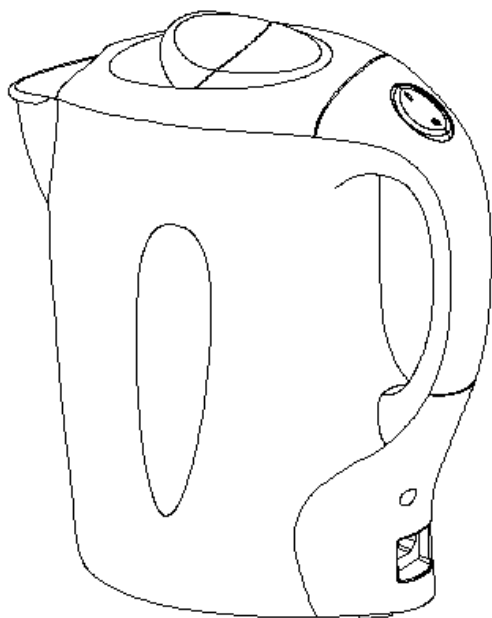




KETTLE

INSTRUCTION MANUAL



MODEL: RM/315

Read this manual thoroughly before using and save it for future reference

IMPORTANT SAFETY INSTRUCTIONS

- Read all instructions before using.
- Before connecting the kettle to the power supply, check that the voltage indicated on the appliance corresponds with the voltage in your home. If this is not the case, contact your dealer and Do not use the kettle.
- The attached base can not be used for other than intended use.
- Do not operate the appliance without load to avoid damaging the heat elements.
- Unplug from the outlet when not in use.
- Do not let the cord hang over edge of table counter or touch hot surface.
- Do not place on or near a hot gas or electric burner or in a heated oven.
- Should you accidentally allow the kettle to operate without water, the boil-dry protection will automatically switch it off. If this should occur, allow the kettle to cool before filling with cold water and re-boiling.
- Ensure that kettle is used on a firm and flat surface where the children can't touch, this can prevent from overturning the kettle to damage the person or kettle.
- To protect against a fire, electric shock or personal injury, do not immerse cord, electric plugs or kettle in water or other liquids.
- Always take care to pour boiling water slowly and carefully without tipping the kettle too fast.
- Be careful when opening the lid for refilling when the kettle is hot.
- Close supervision is necessary when any appliance is used by or near children.
- Do not touch the hot surface. Use the handle or the button.
- Extreme caution must be used when moving an appliance containing hot water.

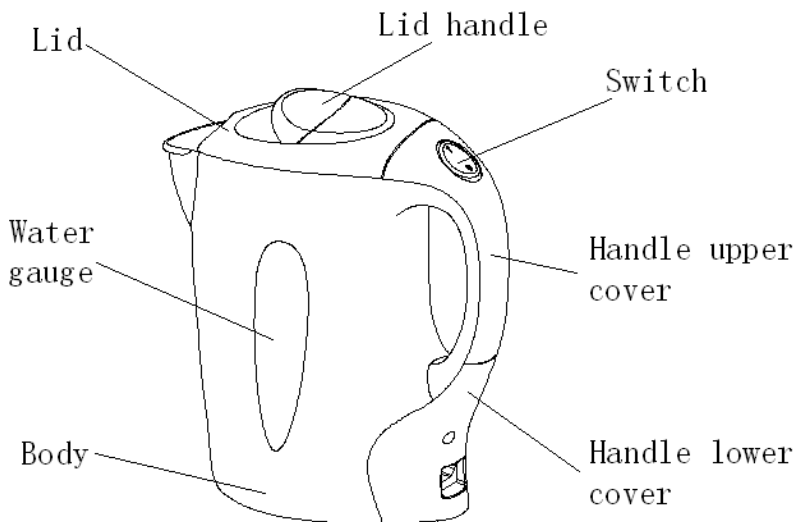
- The appliance is not a toy. Do not let the children play it.
- The use of accessory attachments, that are not recommended by the appliance manufacturer, may result in fire, electric shock or personal injury.
- While water boiling, Avoid to contact with steam from the spout when water is boiling or just after it has switch off. Do not be anxious to uncover the lid.
- Unplug from outlet when not in use and before cleaning; Allow it to cool before putting on or taking off parts and before cleaning the appliance.
- The power plug is plugged into the power socket properly, ensure that the contact is well. Do not loosen.
- Always ensure the lid is closed and do not lift it while the water is boiling. Scalding may occur if the lid is removed during the brewing cycles.
- If the supply cord is damaged, it must be replaced by a special cord or assembly available from the manufacturer or its service agent.
- This appliance has been incorporated with a grounded plug. Please ensure the wall outlet in your house is well earthed.
- Do not use the appliance for other than intended use.
- The kettle can only use with the stand provided.
- If the kettle is overfilled, boiling water may be ejected.
- The kettle is for household use only, not for outdoor.
- This appliance is not intended for use by persons (including children) with reduced physical, sensory or mental capabilities, or lack of experience and knowledge, unless they have been given supervision or instruction concerning use of the appliances by a person responsible for their safety.
- Children should be supervised to ensure that they do not play with the appliance.

·This appliance is intended to be used in household and similar applications such as:

- staff kitchen areas in shops, offices and other working environments;
- farm houses;
- by clients in hotels, motels and other residential type environments;
- bed and breakfast type environments.

·Save these instructions.

Description



Before using your kettle

If you are using the kettle for the first time, it is recommended that you should clean your kettle before use by boiling a full kettle of water twice and then discarding the water.

NOTE: the max capacity of kettle is 1.0L.

Operation of your kettle

1.To fill the kettle, remove it from the power base and open lid by lifting lid handle, fill with the desired amount of water.

Alternatively, the kettle may be filled through the spout. And the water level should not exceed max marks or sit below min max.

Too little water will result in the kettle switching off before the water has boiled.

NOTE: *Do not fill the water over the maximum level, as water may spill out of the spout when boiling. Ensure that the lid is firmly in place before plugging the power outlet.*

2.Insert the connector first into the power socket of the kettle, then connect the cord plug to wall outlet. Connector must be fully inserted to power socket.

3.Press down the switch, the indicator will light up. Then start to boil the water, the kettle will switch off automatically once the water has boiled.

NOTE: *Ensure that switch is free of obstructions and the lid is firmly closed, The kettle will not turn off if the switch is constrained or if the lid is opening.*

4.Unplug first and remove the connector.

Note: make sure the connector and power socket must be dried before the appliance is used again.

5. Lift the kettle from the power base and then pour the water.

NOTE: operate carefully when pouring the water from your kettle as boiling water may result in scald, besides, don't open the lid while the water in the kettle is hot.

6.The kettle will not re-boil until the switch is pressed down again. The kettle may be stored on the power base when not in use.

NOTE: *Ensure power cord is taken down when kettle is not in use.*

Boil-dry protect

Should you accidentally let the kettle operate without water, the boil-dry protection will automatically switch off the power. If this occurs, allow the kettle to cool before filling with cold water before re-boiling.

Cleaning and maintenance

Always disconnect the appliance from the power outlet before cleaning.

1. Never immerse the kettle, power cord or power base in water, or allow moisture to contact with these parts.
2. Wipe the appearance of body with a wild and damp cloth or cleaner, never use a poisonous cleaner.

CAUTION: Do not use chemical, steel, wooden or abrasive cleaners to clean the outside of the kettle to prevent the gloss loss.

Removal of mineral deposits

Your kettle should be periodically descaled as the mineral deposits in tap water may form scale on the bottom of kettle so as to cause the operation less efficiency. You can use the commercially available descaler and follow the instructions on the package of descaler. Alternatively, you may follow below instructions using the white vinegar.

1. Fill the kettle with 3 cups of white vinegar, then adding water to the amount so as to cover the bottom of kettle completely. Leave the solution in the kettle overnight.
2. Then discard the mixture in the kettle, then filling the kettle with clean water, boiling and then discard the water. Repeat several times until the odor of vinegar has been flushed away. Any stains remaining inside the spout can be removed by rubbing with a damp cloth.

Environment friendly disposal



You can help protect the environment!
Please remember to respect the local regulations: hand in the non-working electrical equipments to an appropriate waste disposal center.