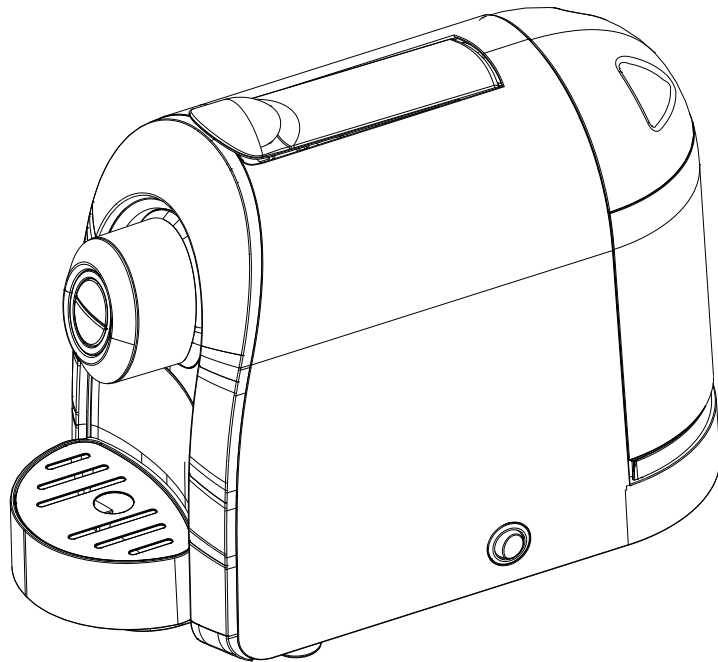




CAPSULE COFFEE MAKER

INSTRUCTION MANUAL



Model: RM/347

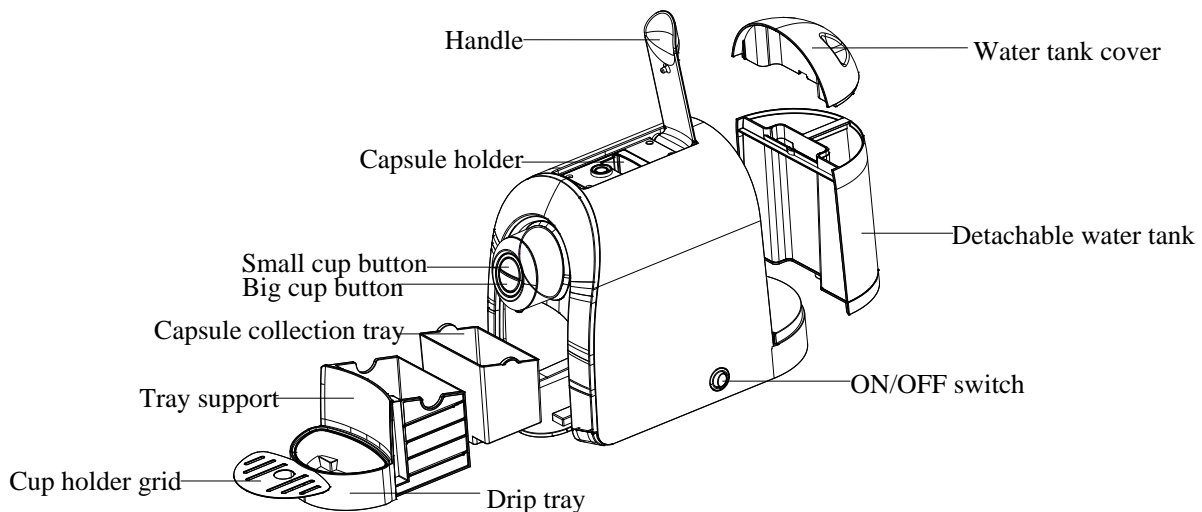
Read this booklet thoroughly before using and save it for future reference

IMPORTANT SAFEGUARDS

When using electrical appliances, basic precautions should always be followed, including the following:

1. Read all instructions.
2. Make sure that your outlet voltage corresponds to the voltage stated on the rating label of the coffee maker.
3. To protect against fire, electric shock and injury to persons do not immerse cord, plug or unit in water or other liquid.
4. Close supervision is necessary when any appliance is used by or near children.
5. Unplug from outlet when not in use and before cleaning. Allow to cool before putting on or taking off parts, and before cleaning the appliance.
6. Do not operate any appliance with a damaged cord or plug or after the appliance malfunctions, or has been damaged in any manner. Return appliance to an authorized service facility for examination, repair or adjustment.
7. The use of accessory not recommended by the appliance manufacturer may result in fire, electric shock or injury to persons.
8. Do not use outdoors.
9. Do not let cord hang over edge of table or counter, or touch hot surface.
10. Do not place on or near a hot gas or electric burner, or in a heated oven.
11. Do not use appliance for other than intended use.
12. Only fill the tank with clean and cold water. Never fill the tank with mineral water, milk or other liquids.
13. To disconnect, remove plug from wall outlet. Always hold the plug. But never pull the cord.
14. Some parts of appliance are hot when operated, so do not touch with hand. Use handles or knobs only.
15. Do not leave the appliance on unattended.
16. The environment temperature of operating or storing shall be more than 0°C.
17. Do not leave the appliance exposed to atmospheric agents (sun, rain and so on)
18. This appliance is not intended for used by persons (including children) with reduced physical, sensory or mental capabilities, or lack of experience and knowledge, unless they have been given supervision or instruction concerning use of the appliances by a person responsible for their safety.
19. Children should be supervised to ensure that they do not play with the appliance.
20. This appliance has been incorporated with a grounded plug. Please ensure the wall outlet in your house is well earthed.
21. Do not let the coffee maker operate without water.
22. Do not use outdoors or for commercial purpose.
23. CAUTION: Never insert finger into the capsule holder to avoid nipping finger.
24. There is extremely hot water in the capsule holder during the brew process. To avoid risk of injury, do not lift the brew handle during brewing process.
25. This appliance is intended to be used in household and similar applications such as:
 - Staff kitchen areas in shops, offices and other working environments;
 - Farm houses;
 - By clients in hotels, motels and other residential type environments;
 - Bed and breakfast type environments.
26. Save these instructions.

KNOW YOUR COFFEE MAKER



FOR THE FIRST USE

Check that all accessories are complete and the unit is not damaged. Add water into water tank. Place a container on the cup holder grid, insert the plug, press the power button and the red indicator will light, wait until the blue indicator is lighting, then press the big cup button and the nozzle starts to let out water and the flow will stop automatically. Then discard the water. Clean all detachable parts thoroughly with warm water.

Note: When you press down the coffee button, the machine may produce a pumping sound. This is normal; the sound tells you that water is pumped for brewing coffee.

USING YOUR COFFEE MAKER

1. Fill the detachable water tank with drinking water. The water level should not exceed MAX level marked on the tank.
2. Open the handle by lifting it and insert a coffee capsule. Close the handle by pushing it down directly

CAUTION: only use **Nespresso** capsule for the appliance.

3. Plug the power cord into the outlet. Turn on the ON/OFF switch and the red indicator will turn on, the appliance will start to preheat. It will not extinguish until you press the power button again. Wait until the blue indicator turns on.

Caution: During brewing, never open the handle. Otherwise the coffee capsule will be expelled into collection tray.

4. Position a cup on the cup holder grid. Make sure the drip tray is assembled in place. Once the red indicator is extinguished, and the blue indicator lights up, it means the preheating is finished, you can make coffee by pressing the big cup button ($70 \pm 20\text{ml}$) or small cup button ($35 \pm 15\text{ml}$), the coffee will flow out from the coffee nozzle. Once the quantity desired has been reached, the flow will stop automatically.
5. Once you have made coffee always expel the capsule. Capsules are automatically expelled into the capsule collection tray by opening the handle.
6. The amount of coffee for small cup and big cup can be adjusted, press the small cup button or big cup button for about 3s, until the indicator is flashing and release the small cup button or big cup button, the machine will enter coffee quantity adjustment mode, then press and hold the small cup or big cup button again, when your desired quantity is reached, release the corresponding button again. The machine will memorize this coffee quantity for next use.
7. If you want to another cup, you shall insert a new capsule for operating.
8. Empty the capsule collection tray and rinse the unit and tank frequently.
9. Always turn the coffee maker off and disconnect the power supply when not use.

CLEANING AND MAINTENANCE

CAUTION: Be sure to unplug this appliance before cleaning. To protect against electrical shock, do not immerse cord, plug or unit in water or liquid. After each use, always make sure plug is first removed from wall outlet. We recommend that the following is performed on a periodical basis:

- 1) Use a dry cloth to wash the removable water tank.
- 2) Empty the capsule collection tray and clean it.
- 3) Clean the capsule holder with a dry cloth.
- 4) Use a damp cloth to gently wipe the cup holder grid. Empty the capsule collection tray and rinse it.
- 5) Clean the machine using a damp cloth, never submerge the machine.
- 6) Replace all parts and keep for next use.

REMOVING MINERAL DEPOSITS

To keep your coffee maker operating efficiently, you should clean away the mineral deposits left by the water regularly according to the water quality in your area and the frequency use the appliance, the detail is as follows:

1. Fill the water tank with water and descaler to the MAX level in the gauge of coffee maker (the scale of water and descaler is 4:1, the detail refers to the instruction of descaler. Please use "household descaler", you can use the citric acid instead of the descaler (the one hundred parts of water and three parts of citric acid).
2. Turn on the ON/OFF switch, the red indicator will turn on. Wait until the red indicator turns off and the blue indicator is lighting up.
3. Lift up the handle and insert the empty capsule supplied. Then close the handle.
4. Position a container on the cup holder grid.
5. Press the big cup button and allow the liquid until it stops automatically.

6. Wait for 20 minutes with the machine turned on.
7. Press the big cup button until all of the water is used up.
8. Rinse the tank well and fill with clean water. Press the big cup button for many times until all of water is used up.

Notice: For descaling and rinsing operations, use the empty capsule supplied.

TROUBLE SHOOTING

Problem	Solution
No indication	Check that the plug has been inserted correctly into the socket, that the power button has been pressed and that the corresponding red light is on.
The machine makes a strange noise	check that there is water in the tank
The lights are on but no coffee comes out	The capsule inserted may be faulty. Wait for a few seconds, then try again with a new capsule.
There are signs of water at the bottom of machine	Make sure that the tank has been fitted correctly into position.
A slight hiss can be heard after the coffee has been released.	This is not a fault, but normal settling of the pressure control valve.

ENVIRONMENT FRIENDLY DISPOSAL



You can help protect the environment!

Please remember to respect the local regulations: hand in the non-working electrical equipments to an appropriate waste disposal center.

