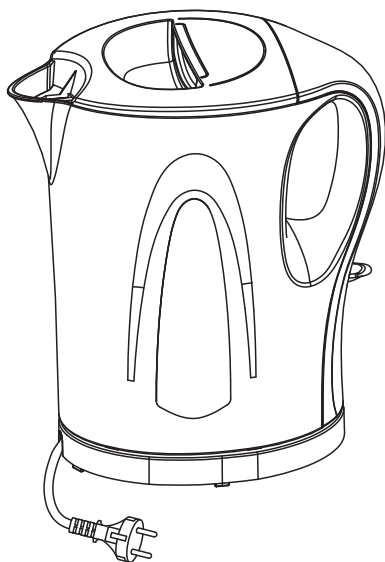




KETTLE

INSTRUCTION MANUAL



MODEL: RM/349

Read this manual thoroughly before using and save it for future reference

IMPORTANT SAFEGUARDS

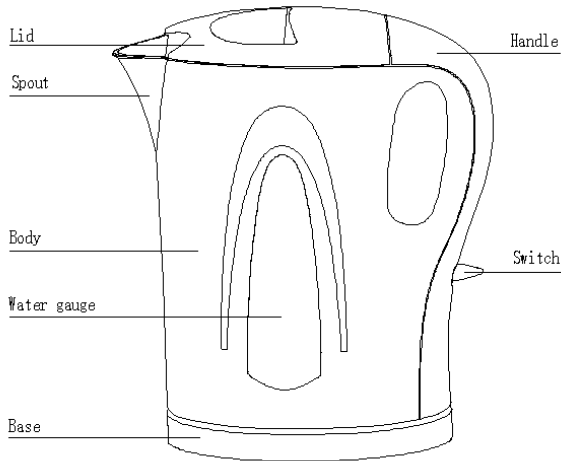
1. Read all instructions before using.
2. Before connecting the kettle to the power supply, check that the voltage indicated on the appliance (underside the kettle & base) corresponds with the voltage in your home. If this is not the case, contact your dealer and stop using the kettle.
3. Do not let the cord hang over the edge of a table or counter or touch a hot surface.
4. Do not place on or near a hot gas or electric burner or in a heated oven.
5. Do not operate the appliance without anything in it to avoid damaging the heat elements.
6. Ensure that the kettle is used on a firm and flat surface out of reach of children, this will prevent the kettle from overturning and avoid damage or injury.
7. To protect against a fire, electric shock or personal injury, do not immerse cord, electric plugs or kettle in water or other liquids.
8. While water is boiling, or just after the water has been boiled, avoid contacting with steam from the spout.
9. Always take care to pour boiling water slowly and carefully without tipping the kettle too fast.
10. Be careful of refilling when the kettle is hot.
11. This appliance can be used by children aged from 8 years and above and persons with reduced physical, sensory or mental capabilities or lack of experience and knowledge if they have been given supervision or instruction concerning use of the appliance in a safe way and understand the hazards involved. Children shall not play with the appliance. Cleaning and user maintenance shall not be made by children without supervision.
12. Do not touch the hot surface. Use the handle or the button.
13. The attached base can not be used for other than intended use
14. Extreme caution must be used when moving an appliance containing hot water.
15. The appliance is not a toy. Do not let the children play it.
16. The kettle is for household use only. Do not use outdoors.
17. The use of accessories, which are not recommended by the appliance manufacturer, may result in fire, electric shock or personal injury.
18. Unplug the kettle from the outlet when not in use and before cleaning. Allow

the kettle to cool before putting on or taking off parts, and before cleaning the appliance.

19. To disconnect, turn any control to "off," then remove plug from wall outlet.
20. If the supply cord is damaged, it must be replaced by the manufacturer or its service agent or a similarly qualified person in order to avoid a hazard.
21. Do not use the appliance for other than intended use.
22. The kettle can only use with the stand provided.
23. If the kettle is overfilled, boiling water may spill out.
24. Always ensure the lid is closed and do not lift it while the water is boiling. Scalding may occur if the lid is removed during the brewing cycles.
25. This appliance is intended to be used in household and similar applications such as:
 - Staff kitchen areas in shops, offices and other working environments;
 - Farm houses;
 - By clients in hotels, motels and other residential type environments;
 - Bed and breakfast type environments.
26. Save these instructions.

This appliance can be used by children aged from 8 years and above if they have been given supervision or instruction concerning use of the appliance in a safe way and if they understand the hazards involved. Cleaning and user maintenance shall not be made by children unless they are older than 8 and supervised. Keep the appliance and its cord out of reach of children aged less than 8 years.

KNOW YOUR WATER KETTLE



BEFORE USING YOUR KETTLE

If you are using the kettle for the first time, it is recommended that you should clean your kettle before use by boiling the Max capacity of water once and then discarding the water. Wipe the surface with damp cloth.

NOTE: The max capacity of kettle is 1.7L.

USING YOUR WATER KETTLE

1. Place the unit on the level surface.
2. To fill the kettle, remove it from the power base and open the lid by pressing the **lid release button**, fill with the desired amount of water, and then close the lid. Alternatively, the kettle may be filled through the spout. The water level should not exceed MAX marks or sit below MIN level. Too little water will cause the kettle switching off before the water has boiled.

NOTE: Do not fill the water over the maximum level, as water may spill out of the spout when boiling. Ensure that the lid is firmly in place before plugging the power outlet.

3. Position the kettle on the power base.
4. Connect the plug into a power outlet. Press down the **On/Off switch**, the

indicator will light up. Then the kettle will start to boil the water, once the water has being boiled the **On/Off switch** will be off automatically. You can shut off the power by lifting the **On/Off switch** at any moment during boiling water. If you want to boil water again, only press down the **On/Off switch** directly to restart the kettle.

NOTE: Ensure that the On/Off switch is free of obstructions and the lid is firmly closed, the kettle will not turn off if the switch is constrained or if the lid is opening.

5. Lift the kettle from the power base and then pour the water.

NOTE: Operate carefully when pouring the water from your kettle as boiling water may result in scald, besides, don't open the lid while the water in the kettle is hot.

6. The kettle will not re-boil until the **On/Off switch** is pressed down again. The kettle may be stored on the power base when not in use.

NOTE: Always disconnect the power supply when not use.

BOIL-DRY PROTECTION

Should you accidentally let the kettle operate without water, the boil-dry protection will automatically switch off the power. If this occurs, allow the kettle to cool before filling with cold water to reboil.

CLEANING AND MAINTENANCE

Always disconnect the appliance from the power outlet and cool it down completely before cleaning.

1. Never immerse the kettle, power cord or power base in water, or allow moisture to contact with these parts.
2. Wipe the appearance of body with a damp cloth or cleaner, never use a poisonous cleaner.
3. Remember to clean the filter at intervals. For easier cleaning, detach the filter and then replace it after cleaning.

CAUTION: Do not use chemical, steel, wooden or abrasive cleaners to clean the outside of the kettle to prevent the gloss loss.

4. When not in use, the power cord can be stored at the bottom of the appliance.

5. When not use or storage, the power cord may be wound under the bottom of kettle.

REMOVAL OF MINERAL DEPOSITS

Your kettle should be periodically descaled as the mineral deposits in tap water may form scale at the bottom of kettle interior so as to cause the operation less efficiency. You can use the commercially available descaler and follow the instructions on the package of descaler. Alternatively, you may follow the below instructions to use the white vinegar.

1. Fill the kettle with 3 cups of white vinegar, then adding water to the amount so as to cover the bottom of kettle completely. Leave the solution in the kettle overnight.
2. Then discard the mixture in the kettle, then filling the kettle with clean water, boiling and then discard the water. Repeat several times until the odor of vinegar has been flushed away. Any stains remaining inside the spout can be removed by rubbing with a damp cloth.

ENVIRONMENT FRIENDLY DISPOSAL



You can help protect the environment!

Please remember to respect the local regulations: hand in the non-working electrical equipments to an appropriate waste disposal center.

