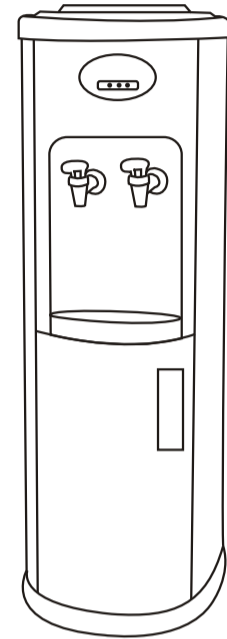




INSTRUCTION & MAINTENANCE MANUAL FOR WATER DISPENSER WITH COMPRESSOR

- Standing Water Dispenser



Model:RM-356

(The picture is only for reference, it may not be the picture of the model)

INSTRUCTION & MAINTENANCE MANUAL FOR WATER DISPENSER WITH COMPRESSOR

VERY IMPORTANT! YOU MUST READ BEFORE USE.

If the supply cord is damaged, it must be replaced by the manufacturer, its service agent or similarly qualified persons in order to avoid a hazard.

This appliance is not intended for use by persons (including children) with reduced physical, sensory or mental capabilities, or lack of experience and knowledge, unless they have been given supervision or instruction concerning use of the appliance by a person responsible for their safety.

Children should be supervised to ensure that they do not play with the appliance.

To avoid the danger caused by false using without water, this water dispenser has been fixed a manual thermostat on hot water tank, when used without water, the manual thermostat will cut off the power and the water dispenser can't be worked again until the manual thermostat will be reset from the dealer or its service agent.

Please **check the bottle is in good condition**, thin and soft bottle and leakage on the bottle and bottle cap will cause the leakage in the water dispenser.

UNITS WITH HOT TANKS

Note: On Hot and Cold units, the hot tank must be filled with water before connecting water dispenser to the electrical source. Air must be bled out of the hot tank by depressing the hot side (red) faucet to fill the hot tank with water before energizing the unit. (The tank is full when water is free of air bubbles and flows from the hot faucet). All Hot and Cold units are equipped with an On/Off switch, which controls the hot tank. These units are shipped with the hot tank control in the Off position. The On/Off switch is located on the rear of the water dispenser.

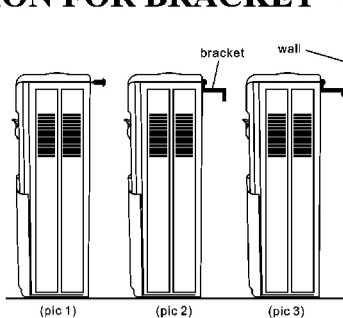
Please **cut off the power** when no water or water will be used out very soon.

NOTES

- 1) Do not clean the dispenser by water, which will cause electric shock. Please clean it by wiping with soft fabric.
- 2) As to mineral water, you must clean it with every 2 months.
- 3) Use an earthed wall socket; the cord and plug must be dry.
- 4) Do not make modification to the power supply plug or lengthen the power supply wire which will both cause overheating or fire.

INSTALLING INSTRUCTION FOR BRACKET

In order to ensure the water dispenser has enough stability to avoid the danger caused by the instability, customers should install the fixed equipment according to the following methods:



1. Unload one screw on top right corner (or top left corner) of the back of dispenser, as pic 1
2. Install the bracket on the place where you unload the screw, and then use the screw to fix the bracket, as pic 2
3. Use the screw to fix the bracket on the wall, (if the wall is too hard, you can use electric drill to dig a hole first, use swelled screw to fix tightly, and then use screw to fix), as pic 3

WARNING: To avoid danger of stab, please keep the screw and bracket away from babies and children.

CORRECT DISPOSAL OF THIS PRODUCT



This marking indicates that this product should not be disposed with other household wastes throughout the EU. To prevent possible harm to the environment or human health from uncontrolled waste disposal, recycle it responsibly to promote the sustainable reuse of material resources.

To return your used device, please use the return and collection systems or contact the retailer where the product was purchased. They can take this product for environmental safe recycling.

-5-

- 5) Do not stop the machine by inserting or pulling the power supply while the machine is working for it is very dangerous.
- 6) The appliance must be positioned so that the plug is accessible.
- 7) **WARNING** to avoid a hazard due to instability of the appliance, it must be fixed a bracket according to the instructions, please refer to "INSTALLING INSTRUCTION FOR BRACKET" as blow.
- 8) Do not place the machine in the rain or in a stream-full room.
- 9) Do not put the machine beside stove, boiler or the place where sunshine can directly irradiate.
- 10) When moving this machine, please do not place it in reverse or excessively declining to avoid knocking or impacting.
- 11) Please do not disassemble and repair it by yourself. If any failure occurs, please contact with your dealer.
- 12) While the water dispenser is working, do not let children play with the machine to avoid sudden scald.
- 13) **WARNING** Keep ventilation openings, in the appliance enclosure or in the built-in structure, clear of obstruction.
- 14) **WARNING** Do not use mechanical devices or other means to accelerate the defrosting process, other than those recommended by the manufacturer.
- 15) **WARNING** Do not use electrical appliances inside the food storage cabinet of the appliance if the unit with the cabinet, unless they are of the type recommended by the manufacturer.
- 16) **WARNING** The refrigerant in the compressor is R134a. Do not damage the refrigerant circuit.
- 17) Please according to local regulations regarding disposal of the appliance for its flammable blowing gas. Before you scrap the appliance, please take off the doors to prevent children trapped.

BASIC OPERATIONAL GUIDELINES

Always unplug the water dispenser from the wall outlet when out of water. If the power is disconnected for any reason, wait five minutes before reconnecting. Locate the water dispenser cooled by compressor in a well-ventilated area making sure there is 4" (about 10cm) of clearance around the back of it for proper airflow. The noise level of the machine is below 70dB. Locate water dispenser within reach of a suitable grounded electrical outlet. To help prevent algae growth, do not place water dispenser in direct sunlight or in front of heating vents.

-2-

Choose a location where floor is level. If water dispenser does not set level to the floor use a shim under one of the feet at the base of it.

The water dispenser is pre-cleaned at the factory. However, the stainless steel reservoir and water lines must be sanitized and flushed with fresh water before use. Regular cleaning and sanitizing is advised to ensure continued quality of water consumed.

Before plugging in, check the power label on the rear of the unit to ensure the power supply is correct. Serious damage could result if the incorrect supply is used.

Never rest cigarettes on water dispenser top. Do not use it as a shelf for plants or storage of other objects. Keep area around water dispenser free of dust and dirt.

If water accidentally splashes inside the water dispenser, unplug the unit, remove excess water and dry out before putting back into service.

Do not locate water dispenser in area where the temperature may fall below freezing. The suitable surrounding temperature is 10°C to 32°C, If ice-jam happened, let water dispenser stand for a few minutes to allow any ice in the reservoir to melt. Add hot water to speed up this process, and at the same time, remain the power off for a longer period of time when no one is using it, and this saves energy and prolongs the lifetime of the compressor.

Never place the water dispenser out of doors, it is not suitable. When used, please do not incline it exceed 45 degree. Please do not use it in water-spraying condition; the water dispenser also can not be sanitized by way of water-spraying.

MAINTENANCE FOR WATER DISPENSER COOLED BY COMPRESSOR

At regular intervals, inspect the condenser (wire grid located across the back of the water dispenser) for lint and dust accumulation.

Always unplug the water dispenser before any cleaning! Vacuum accumulations or clean with a stiff brush. Regular cleaning will help to keep the water dispenser running efficiently and economically.

The compressor is hermetically sealed and requires no lubrication. It is also fitted with an automatic reset overload protection switch.

HOW TO CLEAN AND SANITIZE YOUR WATER DISPENSER

1. Unplug the water dispenser from the electrical outlet.
2. Shut off the water supply and remove the water guard.
3. Drain off any water left in the reservoir and hot and cold tanks through the faucets and drain plugs.
4. Let water dispenser stand for a few minutes to allow any ice in the reservoir to melt. Add hot water to speed up this process.

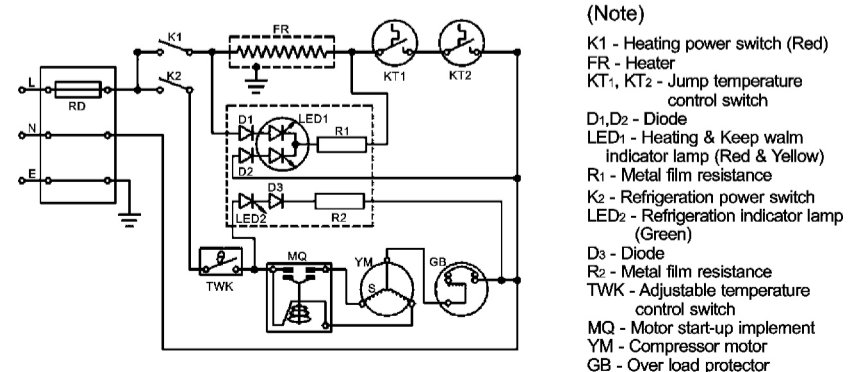
-3-

5. Fill reservoir 3/4 full of fresh clean water and add 1/2 tablespoon of liquid bleach to water. Do not use a stronger sanitizing solution!
6. Allow water to stand for 5 to 7 minutes.
7. Drain sanitizing solution out of the reservoir through the faucets and drain plugs.
8. Flush thoroughly with clean water.
9. If a taste problem develops, place 1 tablespoon of baking soda into cooling tank and add fresh water. Allow this solution to stand for 5 minutes, then drain.

HOW TO SET THE TEMPERATURE OF THE WATER

1. Open the switch of of the water dispenser, the CLOCK of the LED will be light, LED are working. press the hot push button, water dispenser start heating(bar chart start flash), press the cold push button, the water dispenser start cooling(bar chart start flash),adjust the temperature of the water through cold and hot push button.
2. Press the SET push button, to convert setting up of the temperatures of hot and cold water.
3. When the temperature of the water accordance to which you have set up, the bar chart stop flash, and the water dispenser stop heating or cooling.
4. For colse the heating function, keep pressing the hot push button 3 seconds.
5. For colse the cooling function, keep pressing the cold push button 3 seconds.

ELECTRIC DIAGRAM



ABOUT TECHNIQUE PARAMETER, PLEASE REFER TO THE RATING LABEL SHOWN ON THE BACK OF THE WATER DISPENSER.

-4-