



RAMTONS TOASTER

INSTRUCTION MANUAL



RM/448

Read this booklet thoroughly before using and save it for future reference

IMPORTANT SAFEGUARD

When using electrical appliance. Basic safety precautions should always be followed including the following:

1. Read all instruction.
2. Make sure that your outlet voltage corresponds to the voltage stated on the rating label of the toaster.
3. Do not touch hot surface. Use handles or knobs only.
4. To protect against electrical shock, do not immerse cord, plug, or any part of the toaster in water or other liquid.
5. Close supervision is necessary when it is used by or near children.
6. Unplug unit from outlet when not in use and before cleaning.
7. Do not operate any appliance with a damaged cord or plug, or in abnormal state. If its main cord is damaged, it must be replaced by the manufacturer, the nearest service agent or a qualified person.
8. Do not let the cord hang over edge of table or counter, or touch hot surface.
9. Do not place on or near a hot gas or electric burner, or in a heated oven.

10. Do not use the appliance for other than its intended use.
11. Oversize food, metal foil packages or utensils must not be inserted in the toaster as they may cause fire or electric shock.
12. Bread may burn, therefore toasters must not be used near or below curtains and other combustible materials, they must be watched.
13. The use of accessory attachments not recommended by the appliance manufacturer may cause injuries.
14. Don't attempt to dislodge food when toaster is in operation
15. Be sure to take the bread out carefully after toasting so as to avoid injuries
16. This appliance has been incorporated with a grounded plug. Please ensure the wall outlet in your house is well earthed.
17. The appliance is not intended to be operated by means of an external timer or separate remote-control system.
18. This appliance can be used by children aged from 8 years and above and persons with reduced physical,

sensory or mental capabilities or lack of experience and knowledge if they have been given supervision or instruction concerning use of the appliance in a safe way and understand the hazards involved. Children shall not play with the appliance. Cleaning and user maintenance shall not be made by children unless they are older than 8 and supervised.

19. Keep the appliance and its cord out of reach of children less than 8 years.

20. This appliance is not intended for use by persons (including children) with reduced physical, sensory or mental capabilities, or lack of experience and knowledge, unless they have been given supervision or instruction concerning use of the appliance by a person responsible for their safety.

21. Children should be supervised to ensure that they do not play with the appliance.

22. Warning: if toast of small bread slices less than 85mm length, you must pay attention to the potential risk of burning when taking out the slices.

23. Don't use the appliance outdoors.

24. This appliance is intended to be used in household and similar applications such as:

– staff kitchen areas in shops, offices and other

working environments;

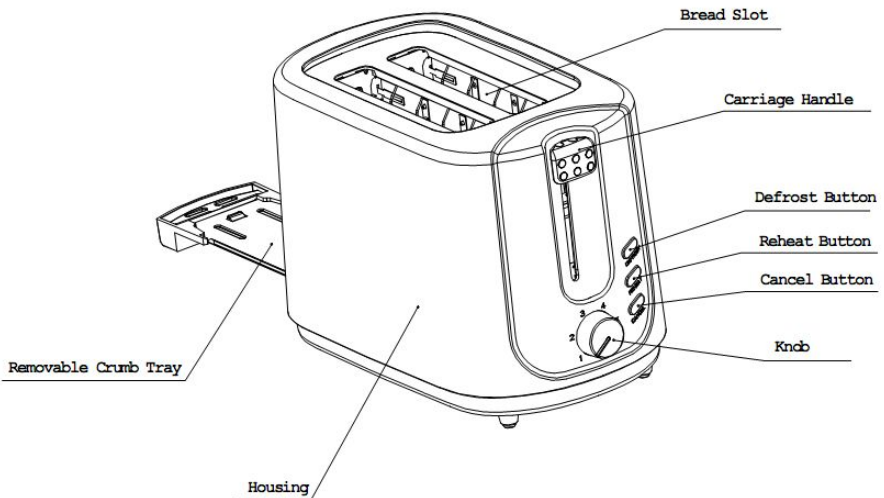
– farm houses;

– by clients in hotels, motels and other residential type environments;

– bed and breakfast type environments.

25. Save these instructions.

PRODUCT INTRODUCTION



FOR THE FIRST USE

As there is manufacturing residue or oil remained in the toaster or heat element, it usually emits the odor for the first use. It is normal and will not occur after several times use. Before toasting the first slice of bread it is strongly suggested to operate the appliance

following below instructions, except without bread.

OPERATION:

1. Put bread slice into the bread slot, it can be inserted two slices at most every time.

Note: 1. Make sure the crumb tray is completely positioned in place before using.

2. Plug the power cord into the outlet.

3. Set color control knob to your desired color. There is 6-position level, the lowest is white and the highest is dark. The bread slice can be toasted to golden color at the position of “4”.

Note: 1) Toasting color for one slice is darker than that for double bread at the same level.

2) If toasted continuously, toasting color for the latter bread is darker than the color of previous cycle at the same level.

4. Press carriage handle down vertically until it is positioned in place, the indicator of **Cancel** will be illuminated, and toasting begins. Once the bread has been toasted to the preset color, the carriage handle will be automatically pop up.

Note: The carriage handle can only be latched when the appliance connects to the power supply.

5. During the toasted process, you may observe the toasting color. If it is satisfactory, you may interrupt the

toasting process by pressing the **Cancel** button at any time.

6. If the bread has been taken out from refrigerator. Set color control knob to your desired color. Press carriage handle down vertically until it is positioned in place, then press **Defrost** button and the indicator of **Defrost** will be illuminated. In this mode it will be toasted to your desired color.

7. If you want to reheat the cold toasted bread. Press carriage handle down vertically until it is positioned in place, then press **Reheat** button and the indicator of **Reheat** will be illuminated. In this mode toasting time is fixed, so long as time is running over, the carriage handle will automatically spring up and end up the reheating process.

CAUTION:

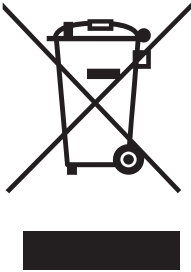
1. Remove all protective wrapping prior to toasting.
2. If toaster starts to smoke, Press **Cancel** to stop toasting immediately.
3. Avoid toasting the food with extremely runny ingredients such as butter.
4. Never attempt to remove bread jammed in the slots without unplugging the toaster from the electrical outlet first, Be sure not to damage the internal mechanism or heating elements when removing bread.

5. The bread slot is only applicable for toasting regular bread slice.

CLEANING AND MAINTENANCE:

1. Disconnect the power supply before cleaning.
2. Wipe the outside with soft dry cloth after toaster cools down, never use metal polish.
3. Pull out crumb tray on bottom of toaster and empty it. If toaster is used frequently, accumulated bread crumbs should be removed at least once a week. Make sure the crumb tray is completely closed before using the toaster again.
4. When not in use or storage, the power cord may be wound under the bottom of the toaster.

ENVIRONMENT FRIENDLY DISPOSAL



You can help protect the environment!
Please remember to respect the local regulations: hand in the non-working electrical equipments to an appropriate waste disposal center.