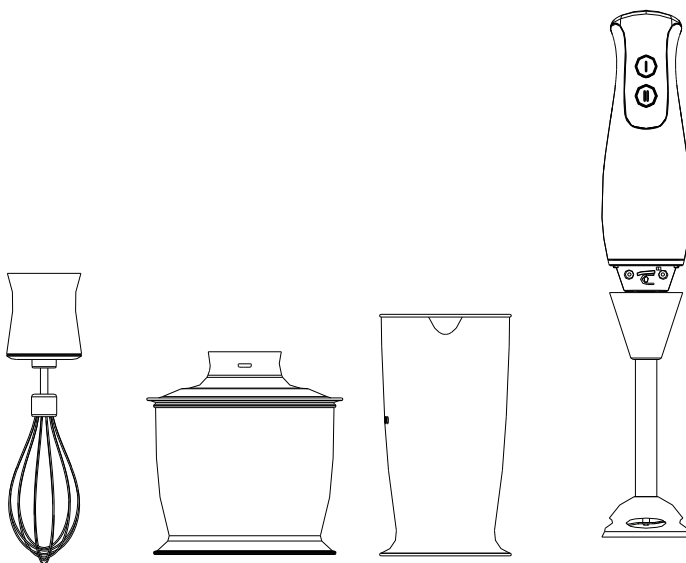




3 in 1 Hand Blender

INSTRUCTION MANUAL



MODEL: RM/449

Read this booklet thoroughly before using and save it for future reference

IMPORTANT SAFEGUARDS

Before using the electrical appliance, the following basic precautions should always be followed including the following:

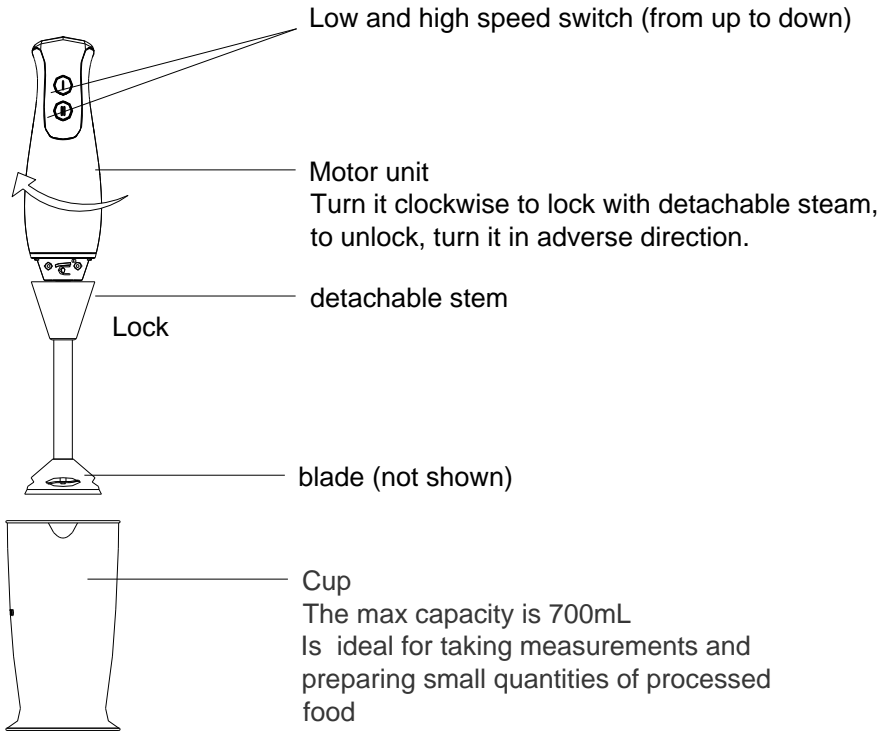
1. Read all instructions.
2. Before using check that the voltage of wall outlet correspond to the one shown on the rating plate.
3. Do not operate any appliance with a damaged cord or plug or after the appliance malfunctions, or is dropped or damaged in any manner, return appliance to the nearest authorized service facility for examination, repair or electrical or mechanical adjustment.
4. If the supply cord is damaged it must be replaced by the manufacturer or an authorized service agent or a qualified technician in order to avoid a hazard.
5. Unplug from outlet when not in use, before putting on or taking off parts, and before cleaning.
6. Do not let cord hang over edge of table or hot surface.
7. Do not immerse upper part of blender into water as this would give rise to electric shock.
8. Close supervision is necessary when your appliance is being used near children or infirm persons.
9. Avoid contacting moving parts.
10. Keep hands and utensils out of container while blending to reduce the risk of severe injury to persons or damage to the blender. A scraper may be used but must be used only when the blender is not running.
11. The appliance cannot be used for chopping ice or blending hard and dry substance, otherwise the blade could be blunted.
12. To reduce the risk of injury, never place cutting blade on base without first putting bowl properly in place.
13. Be sure chopper lid is securely locked in place before operating appliance.
14. The use of accessory not recommended by the manufacturer may cause injuries to persons.
15. Do not operate the appliance for other than its intended use.
16. This appliance can be used by children aged from 8 years and above and persons with reduced physical, sensory or mental capabilities or lack of experience and knowledge if they have been given supervision or instruction concerning use of the appliance in a safe way and understand the hazards involved. Children shall not play with the appliance. Cleaning and user maintenance shall not be made by children without supervision. Do not use outdoors.
17. This appliance shall not be used by children. Keep the appliance and its cord out of reach of children.
18. Appliance can be used by persons with reduced physical, sensory or mental capabilities or lack of experience and knowledge if they have been

given supervision or instruction concerning use of the appliance in a safe way and understand the hazards involved.

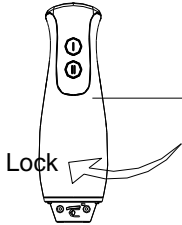
- 19. Children shall not play with the appliance.
- 20. Do not use outdoors.
- 21. Save these instructions.

HOUSEHOLD USE ONLY

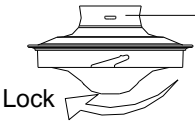
KNOW YOUR BLENDER (suitable for blending vegetable and fruit)



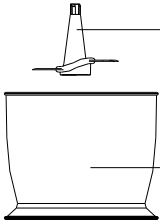
KNOW YOUR ACCESSORY-CHOPPER (for chopping meat and making garlic paste)



Motor unit
Turn the motor unit clockwise to lock with the chopper lid.



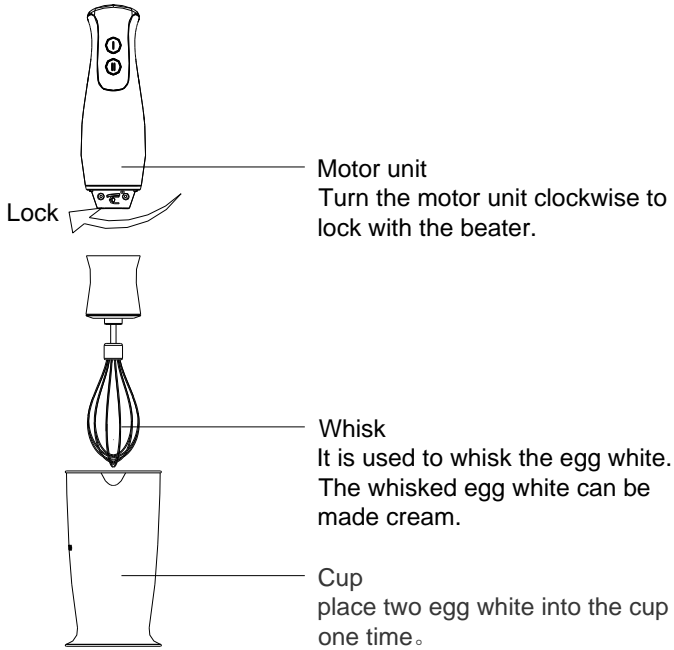
detachable chopper lid
Turn it clockwise to lock with chopper bowl, to unlock, turn it in adverse direction.



Detachable chopping blade
The edge of blade is very sharp. Handle with care to avoid any cuts. Always handle the plastic shaft.

Bowl
place food into it prior to attaching the chopper lid.

KNOW YOUR ACCESSORY-BEATER (for mixing egg white)



HOW TO USE YOUR BLENDER

Before the first use, clean the blender according to the section of "quick cleaning".

Note: The time running unit without load can't exceed 15s.

Important: Blades are very sharp, handle with care. Ensure that the hand-held blender is unplugged from the power outlet before assembling or removing attachments.

Instruction for blender

Max operation duration under high speed per time cannot exceed 1 minute. Minimum 10 minutes rest time shall be maintained between two continuous cycles.

1. To assemble the detachable shaft with the motor unit, turn the shaft anti-clockwise direction until tightened. To disassemble, just turn in the reverse direction.
2. Simply plug the hand-held blender into power outlet.

3. Lower the hand-held blender into food, select and depress the switch at the top of the motor unit according to the need
4. To stop the hand-held blender, release the switch at the top of the motor unit.

Instruction for chopper

Max operation duration under high speed per time cannot exceed 20 second. Minimum 10 minutes rest time shall be maintained between two continuous cycles.

1. Place the chopper bowl on a clean level surface.
2. Assemble the stainless chopping blade into the chopper bowl, as shown in Fig.1.
3. Cover the connector on the chopping blade (see Fig.2).
4. Place food into the chopper bowl.

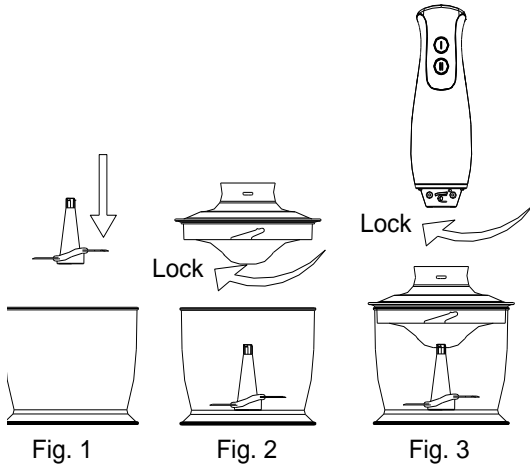
Note: Remove the bone of the meat, cut small pieces, then place the meat into bowl, the max quantity of meat can't exceed 400g in every blending.

5. Attach the lid onto the chopper bowl and turn it in clockwise direction until it locks into position. (See Fig.3) To detach the lid, turn in adverse direction.
6. Plug the appliance into power outlet and depress the switch to begin operation.
7. To stop the appliance, release the switch at the top of the motor unit.

Caution:

-To reduce the risk of injury, never place cutting blade on base without first putting bowl properly in place.

-Be sure chopper lid is securely locked in place before operating appliance.



Instruction for egg white beater

Max operation duration under high speed per time cannot exceed 1 minute. Minimum 10 minutes rest time shall be maintained between two continuous cycles.

1. To assemble the egg white beater with the motor unit, turn the whisk anti-clockwise direction until tightened. To disassemble, just turn in the reverse direction.
2. Simply plug the hand-held blender to power outlet.
3. Place egg white into the cup, generally, two egg whites are enough.
4. Lower the hand-held blender into food and depress the switch at the top of the motor unit.
5. To stop the hand-held blender, release the switch at the top of the motor unit.

SAFETY PROTECTION INSTRUCTION

The appliance is equipped with a PTC self-protector, during normal operation, PTC self-protector is not operate, but during abnormal operation such as excessive temperature or current, PTC self-protector may operate rapidly so as to protect the appliance, in this case, remove the plug from outlet and then replace it so as to reset the PTC self-protector.

CLEANING AND MAINTENANCE

1. Unplug the appliance and remove the detachable stem.

Note: Do not immerse the detachable stem of the blender in water, because of overtime the lubrication on the bearings may wash away.

2. Wash the detachable stem under running water, without the use of abrasive cleaner or detergents. After finishing cleaning the detachable stem, place it upright so that any water which may have got in can drain out. The stem is a dishwashing-safe component.

3. Wash the cup, bowl, beater and blade in warm soapy water. The bowl and the beater are not recommended to place in dishwashing machine as the plastic component deteriorates through prolonged use of dishwasher cleaning.

4. Wipe the motor unit with a damp cloth. Never immerse it in water for cleaning as an electric shock may occur.

5. Dry thoroughly.

Caution: Blades are very sharp, handle with care.

Quick cleaning

Between processing tasks, hold the hand-held blender in the cup half filled with water and turn on for a few seconds.

ENVIRONMENT FRIENDLY DISPOSAL



You can help protect the environment!

Please remember to respect the local regulations: hand in the non-working electrical equipments to an appropriate waste disposal center

