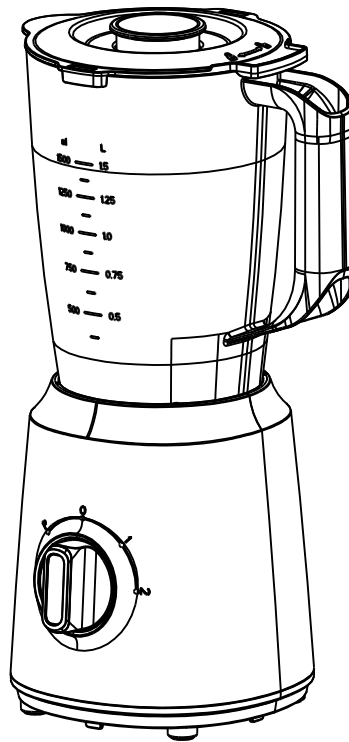




Ideas for **easy living**

Blender

INSTRUCTION MANUAL



Model: RM/583

Read this booklet thoroughly before using and save it for future reference

IMPORTANT SAFEGUARDS

Before use make sure to read all of the below instructions in order to avoid injury or damage, and to get the best results from the appliance. Make sure to keep this manual in a safe place. If you give or transfer this appliance to someone else make sure to also include this manual.

In case of damage caused by user failing to follow the instructions in this manual the warranty will be void. The manufacturer/importer accepts no liability for damages caused by failure to follow the manual, a negligent use or use not in accordance with the requirements of this manual.

1. Warning: Potential risk of injuries from misuse.
2. Always disconnect the appliance from the supply if it is left unattended and before assembling, disassembling or cleaning.
3. This appliance shall not be used by children. Keep the appliance and its cord out of reach of children.
4. Appliances can be used by persons with reduced physical, sensory or mental capabilities or lack of experience and knowledge if they have been given supervision or instruction concerning use of the appliance in a safe way and if they understand the hazards involved.
5. Children shall not play with the appliance.
6. If the supply cord is damaged, it must be replaced by the manufacturer, its service agent or similarly qualified persons in order to avoid a hazard.
7. Switch off the appliance and disconnect from supply before changing

accessories or approaching parts that move in use.

8. Care shall be taken when handling the sharp cutting blades, emptying the bowl and during cleaning.

9. Be careful if hot liquid is poured into the appliance as it can be ejected out of the appliance due to a sudden steaming.

10. Before inserting the plug into the mains socket, please check that the voltage and frequency comply with the specifications on the rating label.

11. If an extension cord is used it must be suited to the power consumption of the appliance, otherwise overheating of the extension cord and/or plug may occur. There is a potential risk of injuries from tripping over the extension cord. Be careful to avoid dangerous situations.

12. Disconnect the mains plug from the socket when the appliance is not in use and before cleaning.

13. Ensure that the mains cable is not hung over sharp edges and keep it away from hot objects and open flames.

14. Do not immerse the appliance or the mains plug in water or other liquids.

There is danger to life due to electric shock!

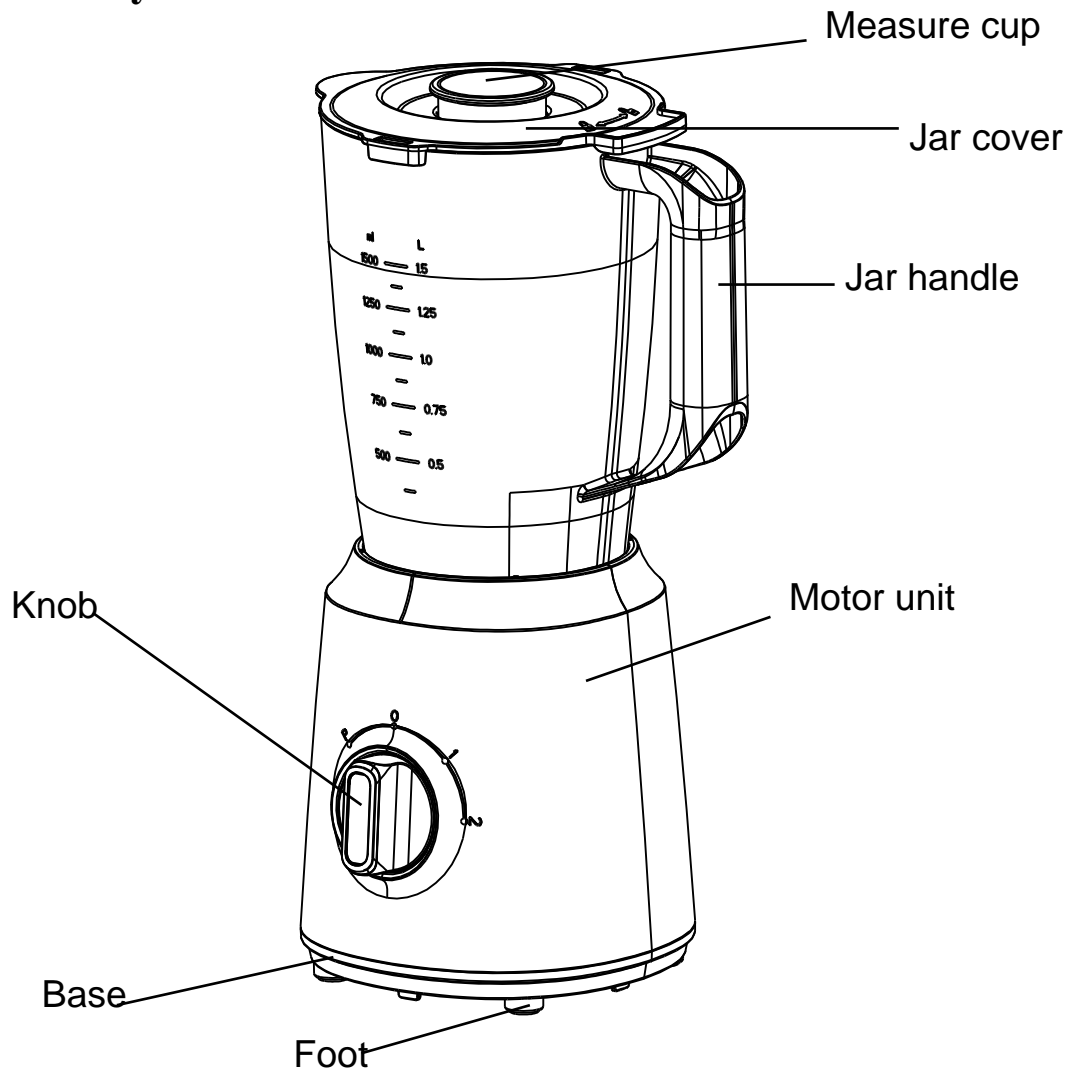
15. To remove the plug from the plug socket, pull the plug. Do not pull the power cord.

16. Do not touch the appliance if it falls into water. Remove the plug from its socket, turn off the appliance and send it to an authorized service center for repair.

17. Do not plug or unplug the appliance from the electrical outlet with a wet hand.
18. Never attempt to open the housing of the appliance, or to repair the appliance yourself. This could cause electric shock.
19. Never leave the appliance unattended during use.
20. This appliance is not designed for commercial use.
21. Do not use the appliance for other than intended use.
22. Do not wind the cord around the appliance and do not bend it.
23. The use of accessory attachment not recommended by the appliance manufacturer may cause injuries.
24. Do not allow children to use the blender without supervision.
25. Regarding the instructions for cleaning the surfaces which come in contact with food, speed settings and operating times, please refer to the below paragraph of the manual.

HOUSEHOLD USE ONLY

Know your Blender



For the initial use

1. Unpack the appliance and place all parts on a horizontal surface.
2. Immerse jar, jar cover, in warm soapy water and rinse them and dry. Never immerse motor unit in water for cleaning to prevent the risk of electric shock.

Caution: the blade is very sharp, handle with great care.

3. The correct assembly way will be described in detail in below sections.

Before assembling the jar, be sure the power cord is unplugged from the power outlet and the Switch button is on the 0 position.

The jar is suitable for making mixture which the juice and pulp are mixed.

1. Place the Jar on the **Motor Unit**, Turn the jar clockwise until a click will be heard when locked into position properly. Please see Fig.1

Note: make sure the Jar is assembled into the motor unit properly, there is interlock switch on the position, if the Jar is not assembled properly, the blender will not operate.

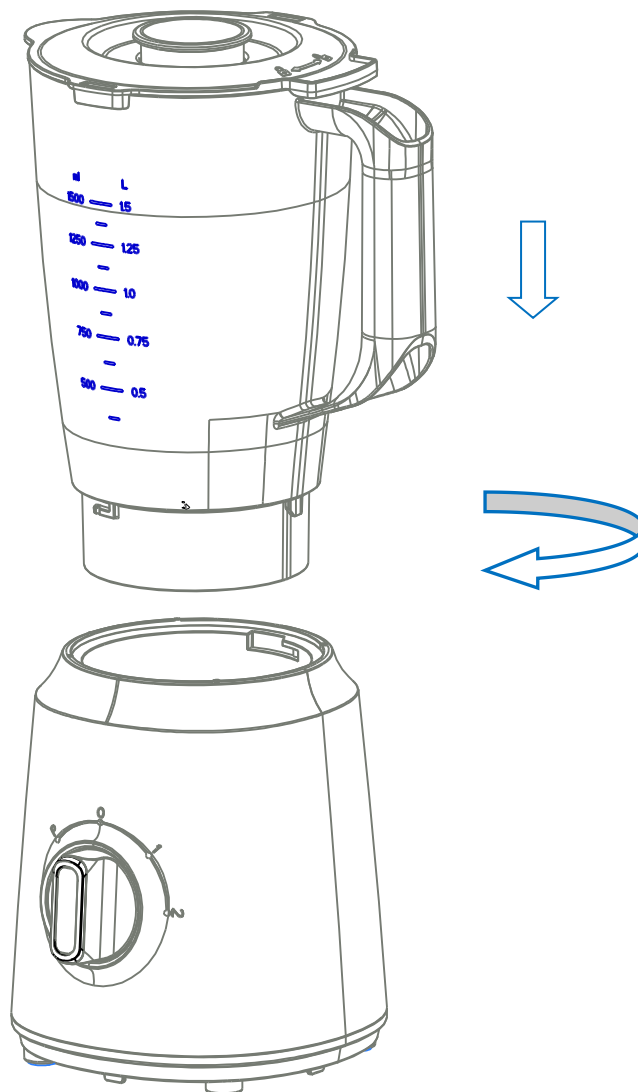


fig.1

Blending fruit and vegetable:

1. Before attaching the power cord into the outlet, make sure the Switch button is in the 0 position.
2. Peeled or cored the fruit or vegetables and then cut it into small dices, put the food piece into the Jar. Usually certain amount of purified water has to be added to facilitate the smooth running of appliance. The proportion of the food and water is 2:3. The amount of mixture should not exceed the max level as indicated on the Jar.

Note: never use boiling liquids or run the appliance empty. The Jar can be used for breaking up ice.

3. Replace the Jar cover on the Jar. Turn the Jar cover into the Jar.
4. Turn the Switch button to the desired setting, there are two settings: P, 0, 1,2. Turn switch to P position and hold it to pulse actuate motor for delicate chopping. Release it to return the 0 position.
5. The consecutive operation time shall less than 3 minutes. Minimum 1 minutes rest period is required between two consecutive cycles.
7. Turn the Switch button to 0 Position once the mixture has been blended to your desired consistency.
8. Remove the Jar from the Motor Unit (remove it by directly upward), carefully take down the Jar cover, then pour and serve.

Cleaning and Maintenance

The Auto Clean feature can clean the blender and blade assembly easily, rapidly in complete safety.

- Pour a little warm soapy water into the Jar and turn the Switch button to P position for a few seconds.

- Remove the Jar from the motor unit by directly taking it upward and rinse the Jar, Jar cover under running water.

- Wiping the outer surface of Motor Unit with a damp cloth, do not use abrasive cleansers. Never immerse in water for cleaning

- Dry all parts and then replace them

For complete cleaning, you can hold the blade assembly at the bottom of jar carefully, for it is sharp, take it out by turning coupling on the other side clockwise emphatically (see Fig.2), then put the detachable accessories into Dishwasher for clean, they are dishwasher safe components, but the temperature setting shall not exceed 70°C.

If any problem has been encountered during use never disassemble the Motor Base by yourself, no user serviceable parts inside. Contact only the authorized service facility for examination and repair.

Environment friendly disposal



You can help protect the environment!
Please remember to respect the local regulations: hand in the non-working electrical equipments to an appropriate waste disposal center.