



RW/114

TWIN TUB WASHING MACHINE

USE AND CARE MANUAL

Please read and keep this manual for correct maintenance and operation of this washing machine

Index

Names of respective parts-----	2
Main features and Technical data-----	3
Operation parts-----	4
Preparations instructions-----	4
Precaution to washing-----	5
Washing instruction-----	5
Spinning-drying instructions-----	6
Rinsing instructions-----	6
Maintaining-----	7
Cabinet care-----	7
Cleaning the lint filter-----	7
Cleaning dirt drain valve-----	7
Freezing prevention-----	7
If freezing happens to-----	8
How about laundry clothing outside of spin-dryer-----	8
How to clean dirty pump-----	8
Where to put the washing machine-----	8
Cautions-----	9
Inspection when meeting the following problems-----	9

Cautions:

The power lines of machine are connected in Y type, please do not open the power line otherwise it may call some bad effects to the machine.

Maintenance of power lines is referred to special technicians.

The grounding wire of machine must be connected the earth.

- After using, please pull off the power plug for sure.
- According to the type of the plug, Please use a corresponding electrical socket.
- More than 2 degrees of sliding surface are not allowed.
- No departing electrical motor by yourself.
- Do not block the air intake of the base while the machine working.
- Absolutely avoid connection of earth and midline.
- Do not touch laundry and spin-dryer while the dryer spinning.
- Do not place the machine in bathing room for prevention of rusting and corrosion.
- Do not brush the control panel with water.
- Do not allow children get near to the machine.
- Do not wash laundries of paint and gasoline to avoid fire risk.
- Do not forget to cover the spin lid.
- Do not use hot water more than 50 °C.
- Get away from fire and heat.

Inspection when meeting the following problems:

? The machine does not work

- If power failure
- If power plug loose
- If "wash timer" or "spin timer" in "0" position

? The machine can not drain

- If drain hose placed down
- If drain hose or inner pipe freezed
- If drain hose or inner pipe blocked

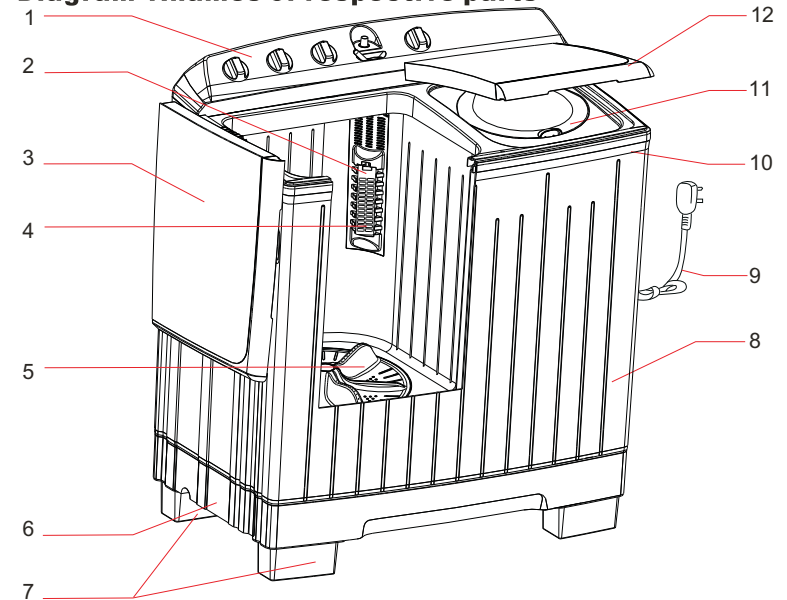
? The machine has special noise

- If coins or other sundries inside the wash tub

? The machine has special noise and strong shaking

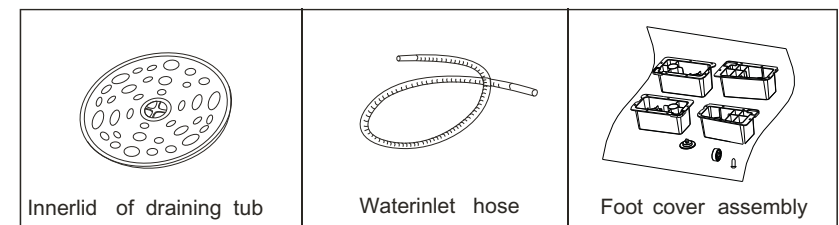
- If the machine placed evenly
- If spin-dryer inner cover pressed well
- If some laundry outside the spin-dryer

Diagram 1.names of respective parts



1.Control panel 2.Water level controller 3.Washing cover 4.Lint filter
5.Pulsator 6.Base 7. Footcover 8.Cabinet 9.Power plug 10. Frame
11.Spin dryer cover 12. Spin lid

Diagram 2. Accessories



Main Features and Technical Data

- Big capacity: 14kg of clothing can be washed in a single operation.
- Low noise: adopting the updated squelch technology.
- Sufficient cleaning: adopting acetabuliform pulsator, hand working water flow , not only for washing ordinary clothing but also for blanketry and jeans , etc..
- All function and easy operation: filtering thrum and indicating water level and other multiple functions.
- Good stability in washing and spinning.
- Beautiful design of outlook , plastic coating and plastic base for preventing rust and corrosion.

Attachment: Main Technical Data Sheet

	Washing	Spin-drying
Capacity (maximum)	14 kg dry clothes	7 kg dry clothes
Power supply	220V/50Hz	
Input power	450W	180W ;225W(for up drain)
Maximum timing	15 minutes	5 minutes
Amount of water	87ltr. (H) ;65ltr. (M) ;42ltr. (L)	
Modes of washing/spinning	Automatic reverse/hand-rubbing like	Centrifugal
Overall dimensions	902X537X984(L*W*H) mm	
Net weight	30kg	

If freezing happens to:

1. Put the inlet hose in warm water of 50 °C.
2. Have about 2 liter of warm water less than 50 °C into the wash tub for 10 minutes.
3. Install inlet hose and turn on the water faucet to ensure inlet and outlet of water are working normally.

How about laundry clothing outside of spin-dryer:

1. Pull up ring-shape safety lid by two hands.
2. Take out the laundry clothing from the outside of spin-dryer.
3. Press down the ring-shape safety lid to make it reverting.



Ring-shape safety lid



How to clean dirty pump:

- Take off the back cover off the washer, press the clip at the drain hole of pump, and pull out the drain hose.
- Clean the pump from the drain hole of pump.

Where to put the washing machine:

- Keep the washing machine away from heavy sun shine.
- Keep the washing machine away from moisture and rain.
- Avoid uneven and elastomeric ground.

NOTICE: use of water inlet valve

- Water tap must be closed when water current needs to be shifted between wash side and spin side. Then lay the knob in the right position as figure A and B. After that, open the water tap to let water in.
- When the knob is in the position as figure C, valve may be affected by in-water pressure leading to water inlet hose fall off.
- Please avoid laying the knob in the position as figure C (any other position except the position as figure A and B)

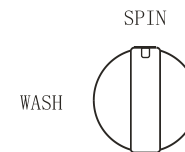


Figure A
The Right Position
of the Knob for Spin Side

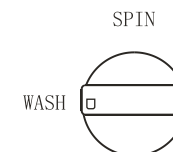


Figure B
The Right Position
of the Knob for Wash Side

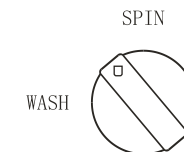


Figure C
The Wrong Position
of the Knob

Attachment: water flow, washing capacity and washing time parameter

Fabric type	Laundry capacity (kg)	Water level	Water flow	Washing time (minutes)
Synthetics	Under 3.0	Low	Normal	4
	3-6	Medium		4-6
Cotton or linen	4-7	Medium	Normal	7
	7-14	High		7-10
Heavy soil	4-7	Medium	Heavy	12
	7-14	High		10-15

Maintaining:

After using the machine, please take care of the following steps:

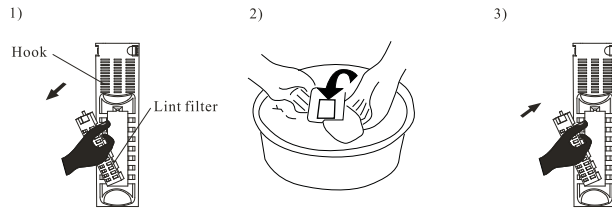
1. Pull out the power plug.
2. Pull off the water inlet hose.

Cabinet care:

- To clean the cabinet off the water and dirt with soft cloth, no detergent, volatile and other chemicals used to avoid surface destroying.

Cleaning the lint filter:

- While pressing down on the button, pull the lint filter out.
- Turn the filter net inside out and rinse with water.
- After cleaning, insert edge of filter into the notch and push the filter into place while pressing the button down.



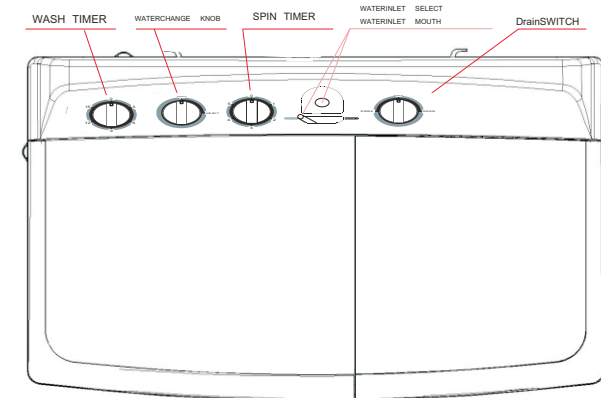
Cleaning dirty drain valve:

- Take off the overflow filter cover, loose the belt and screw off the valve cover in counter-clockwise, to take valve rod and other parts out then remove dirt inside.
- Reverse the above steps to make all parts reverting.

Freezing prevention:

1. Turn off the water faucet, pull off the inlet hose and empty all water from the inlet hose.
2. Put down drain hose and switch the indicator to "drain" position to empty all water from wash tub.

Diagram 4. Operation Parts

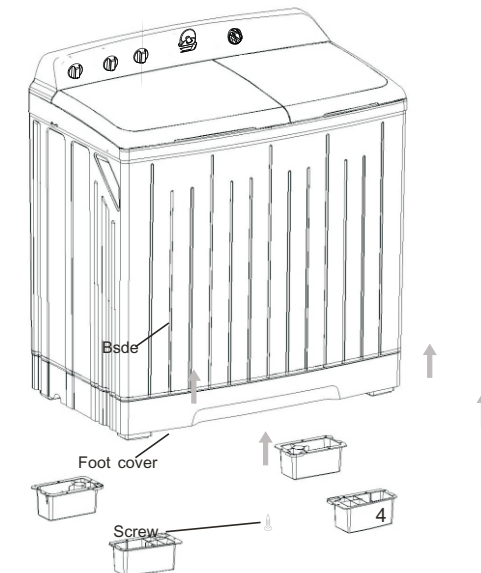


Attachment: wasning weigt rerefence

T-shir (cotton) about 150 g	Shirt (synthetic fabric) about 200 g	Slipover (cotton) about 500 g
Panties (cotton) about 50 g	Socks (synthetic fabric) about 50 g	Scarf (cotton) about 300 g

Preparations instructions:

- Take outthe foot cover assembly from plastic bag in thewashing machine.
- Put the machinedown, follow the picture showing and putthe foot cover on the right place of the base.
- Use the screwdriver to fasten thescrew of thefoot cover assembly.



Precaution to washing:

- Checking pocket of clothes to avoid coins, clips and etc..
- Reversing the clothes which is easy teaseled.
- To resist clothes` s crossing, please cross their sleeves or the ties in advance.
- Zipping the clothes if they have in advance.
- Separating clothes if they have easily fading color.
- To put clothes of puff into washing net bag.

Detergent consumption:

Dry laundry capacity	Under 4 kg	Under 7 kg	Under 14 kg
Water level	Low: 45 ltr	Medium: 67 ltr	High: 90 ltr
Detergent amount	About 63 g	About 94 g	About 126 g

- Detergent consumption: generally 1.4 g per liter water , more or less consumption accordingly for different detergent.
- The laundry should be able to circumgyrate enough in the wash tub.
To put clothes of puff into washing net bag.

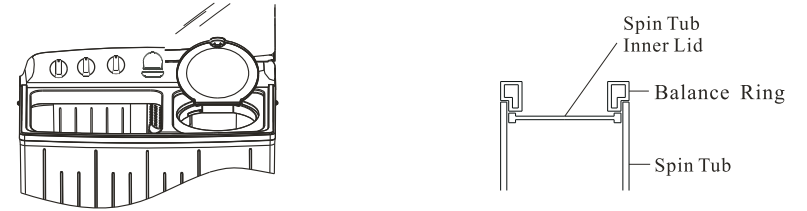
Washing instruction:

1. Set the " WATER SWITCH " to "normal" or "heavy" position according to the fabric type. (see diagram 4)
 2. Set the " WATER SELECT KNOB " to "wash" position.
 3. Inject the water to the proper position as per laundry capacity.
 4. Add water until level reaches halfway to the desired water level, then add detergent to mix it in the water and put laundry into the washer (if desired, allow the laundry to soak in the water for a little while) and continue to add water until desired water level mark is reached then turn off the water.
 5. Set the wash timer to desired time and the machine will begin washing. " to "drain"
 6. At the end of washing, buzzer will sound and then set the " WATER SWITCH Position to empty the water
- Blankets marked for "hand washing" up to 4 kg can be washed.
 1. Dilute the detergent in warm water (under 50 °C) and pour the mixture into the tub.
 2. Fold blanket as shown in following diagram and then put blanket into the wash tub.



Spinning-dryer instructions:

1. Transfer laundry from the washer to the spin-dryer, place clothes evenly in bottom of the tub.
2. Place the inner cover of the spin-dryer on top of the laundry and make sure it is placed evenly.
3. Close the safety lid and the upper spin-dryer lid.
4. Set the "spin timer" to the desired time and the spin-dryer will start.



Spin time (minutes)	0.8	1	1-2	2-3	3-4	5
Laundry type	Thread	Synthetic, delicate	Knitgood (synthetic)	Underwear (cotton)	Jacket (cotton/linen)	Heavy cotton

Attention:

- If the spin tub shakes heavily, check and make sure the washing machine is placed evenly and the clothes are put equally.
- If the draining and spinning are done at the same time, do drain after spinning has done.

Rinsing instructions:

A. Spray rinsing:

- Spray rinse is done in the spin-dryer tub, it is used after half of the spin-dryer cycle complete, and can save water and power usage.

 1. Set the " WATER SELECT KNOB " to "spin" position.
 2. Start the flow of water to dampen all clothes (3-4 minutes).
 3. Set the "spin timer" for 3 minutes and close the lid of spin-dryer.

 - * You may repeat the above steps as needed.
 - ! This method is not advised if local water supply have a high level of rust or other substances in it.

B. Ordinary rinsing:

- Ordinary rinsing is done in the wash tub. It is used after half of the spin-dryer cycle is complete, and can save time, water and power usage.

 1. Put laundries which have already been dehydrated into the wash tub.
 2. Set the " WATER SELECT KNOB " to "wash" position.
 3. Set the " WATER SWITCH " to "normal" or "heavy" position according to the fabric type.
 4. Set the water level as per laundry capacity.
 5. Start the flow of water level until it reaches desired level and then turn off water.
 6. Set the "wash timer" for 3-5 minutes' rinsing.
 7. Buzzer will sound when rinsing cycle is complete.
 8. Put the laundries into the spin-dryer tub for 1-3 minutes' dehydrating.
 9. Drain the water from wash tub.
 10. Repeat the above steps as needed for additional rinsing.